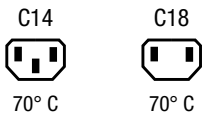


IEC Appliance Inlet C14 or C18 with Line Switch 1- or 2-pole and Fuseholder 1-pole



Description

- Panel Mount:
Snap-in or screw-on mounting, from front side Appliance Inlet, protection class I or II, Fuseholder for fuse-links 5 x 20 mm, Line Switch
- Snap-in version with 1- or 2-pole line switch available
- Screw-on version only with 2-pole line switch
- Solder terminals or quick connect terminals

Approvals

- UL File Number: E93617
- CSA File Number: 27324

Characteristics

- Line switch non-illuminated or illuminated

Weblinks

[pdf-datasheet](#), [html-datasheet](#), [General Product Information](#), [Approvals](#), [CE declaration of conformity](#), [RoHS](#), [CHINA-RoHS](#), [Mating Connectors](#), [e-Shop](#), [SCHURTER-Stock-Check](#), [Distributor-Stock-Check](#), [CAD-Drawings](#), [Accessories](#), [Wire Harnessing](#), [Detailed request for product](#)

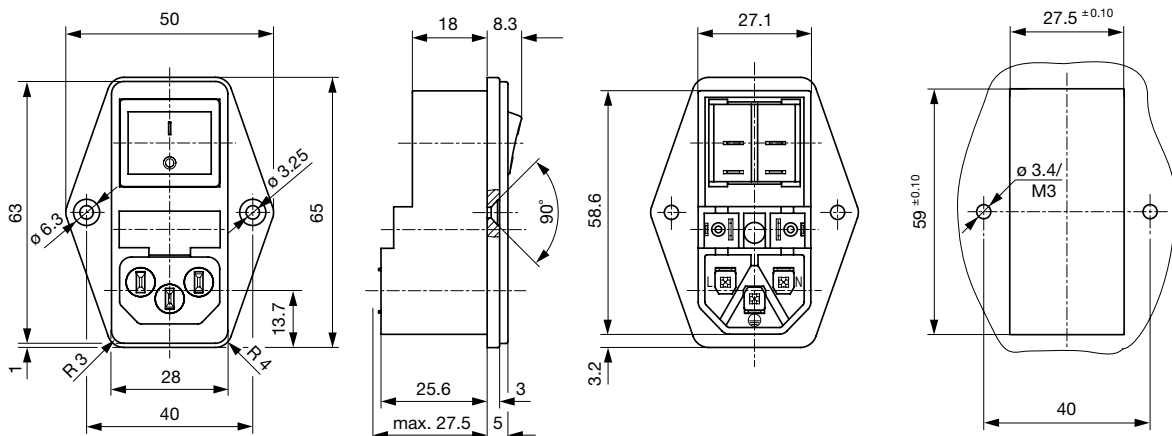
Technical Data

| | |
|---------------------------|---|
| Ratings IEC | 10 A / 250 VAC; 50 Hz |
| Ratings UL/CSA | 10 A / 250 VAC; 60 Hz |
| Dielectric Strength | > 3 kVAC between L-N > 1.5 kVAC between L/N-PE (1 min/50 Hz) |
| Allowable Operation Temp. | -25 °C to 70 °C |
| Degree of Protection | from front side IP 40 acc. to IEC 60529 |
| Protection Class | Suitable for appliances with protection class I or II acc. to IEC 61140 |
| Terminal | Solder terminals or quick connect terminals |
| Panel Thickness s | Screw Mounting screw torque max 0.5 Nm Snap-in 1.0 - 1.5/2.0 - 2.5 mm |
| Material: Housing | PA6, black, UL 94V-0 |

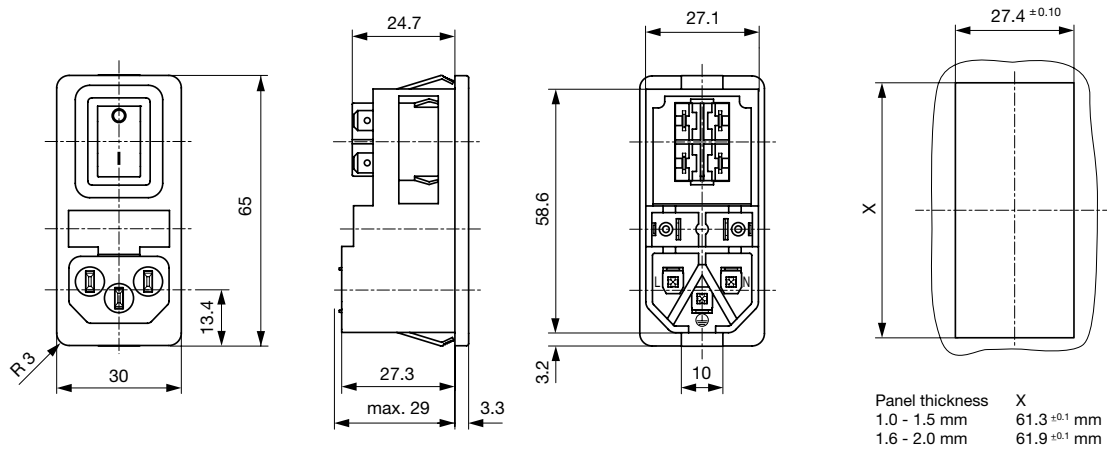
| | |
|------------------------------|---|
| Appliance Inlet | C14 / C18 acc. to IEC 60320 UL 498, CSA C22.2 no. 42 (for cold conditions) pin-temperature 70 °C, 10 A, Protection Class I or II |
| Fuseholder | 1-pole, acc. to IEC 60127-6, for fuse-links 5 x 20 mm |
| Power Acceptance @ Ta > 23°C | Admissible power acceptance at higher ambient temperature see derating curves |
| Line Switch | Rocker switch 1 or 2 pole, non-illuminated or illuminated black, acc. to IEC 61058-1 Technical Details |

Dimensions

Screw-on mounting



Snap-in mounting



Config. Code


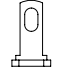
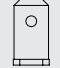
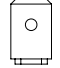
6762 - H - ABCN - D - EGOP

The characters are placeholders for the correspondingly keys of selections from the key tables.

6762 - H - ABCN - D - EGOP = Type

| Type | Configuration key |
|--------------------|-------------------|
| protection class 2 | B |
| protection class 1 | X |

6762 - H - ABCN - D - EGOP = Terminals

| Terminal L | | Configuration key |
|-----------------------------------|--|-------------------|
| solder terminal |  | 1 |
| long solder terminal (L = 8.5 mm) |  | 3 |
| Blade terminal (4.8 x 0.8 mm) |  | 8 |
| Blade terminal (6.3 x 0.8 mm) |  | 9 |

6762 - H - ABCN - D - EGOP = Terminals

| Terminal N | Configuration key |
|-----------------------------------|-------------------|
| solder terminal | 1 |
| long solder terminal (L = 8.5 mm) | 3 |
| Blade terminal (4.8 x 0.8 mm) | 8 |
| Blade terminal (6.3 x 0.8 mm) | 9 |

Symbols similar as in table A

6762 - H - ABCN - D - EGOP = Terminals

| Terminal Ground | Configuration key |
|-----------------------------------|-------------------|
| without terminal | 0 |
| solder terminal | 1 |
| long solder terminal (L = 8.5 mm) | 3 |
| Blade terminal (4.8 x 0.8 mm) | 8 |
| Blade terminal (6.3 x 0.8 mm) | 9 |

Symbols similar as in table A

6762 - H - ABCN - D - EGOP = Terminal Fuseholder

| Terminal Fuseholder | Configuration key |
|-------------------------------|-------------------|
| solder terminal | 1 |
| Blade terminal (4.8 x 0.8 mm) | 8 |

6762 - H - ABCN - D - EGOP = Color

| Color | Configuration key |
|-------|-------------------|
| Black | A |

6762 - H - ABCN - D - EGOP = Style

| Style | Configuration key |
|-------------------------------|-------------------|
| flange with countersunk holes | 1 |
| flange with through holes | 2 |
| snap-in standard type | 3 |
| insert type | 5 |

6762 - H - ABCN - D - EGOP = Dimension X

| Dimension "X" | Configuration key |
|---------------|-------------------|
| 00 | |

The dimension "X" is displayed in ($\frac{1}{10}$ mm). This information is also valid for the order code

6762 - H - ABCN - D - EGOP = Features

| Features | Configuration key |
|--|-------------------|
| dead cover | 1 |
| holder for 1 fuse (text legible, when inlet on top) | 2 |
| holder for 1 fuse (text legible, when inlet on bottom) | 3 |

6762 - H - ABCN - D - EGOP = Switches

| Switches | Configuration key |
|---|-------------------|
| dead cover | 1 |
| unipolar switch, 4,8mm blade terminal, black rocker | 2 |
| unipolar switch, solder terminal, black rocker | 3 |
| bipolar switch, 4,8mm blade terminal, black rocker | 4 |
| bipolar switch, solder terminals, black rocker | 5 |
| bipolar switch, 4,8mm blade terminal, rocker red illuminated | 6 |
| bipolar switch, solder terminal, rocker red illuminated | 7 |
| bipolar switch, 4,8mm blade terminals, rocker green illuminated | 8 |
| bipolar switch, solder terminals, rocker green illuminated | 9 |

| Config. Code | Description | Order Number |
|---------------------|--|--------------|
| 6762-X-9998-A-10024 | 6762, IEC Power Entry Module C14, 70°C, version: protection class 1, L: Blade terminal (6.3 x 0.8 mm), N: Blade terminal (6.3 x 0.8 mm), ground: Blade terminal (6.3 x 0.8 mm), fuseholder: Blade terminal (4.8 x 0.8 mm), color: Black, design: flange with countersunk holes, dimension X: 00, features: holder for 1 fuse (text legible, when inlet on top), bipolar switch, 4,8mm blade terminal, black rocker | 4304.6070 |
| 6762-X-9998-A-10026 | 6762, IEC Power Entry Module C14, 70°C, version: protection class 1, L: Blade terminal (6.3 x 0.8 mm), N: Blade terminal (6.3 x 0.8 mm), ground: Blade terminal (6.3 x 0.8 mm), fuseholder: Blade terminal (4.8 x 0.8 mm), color: Black, design: flange with countersunk holes, dimension X: 00, features: holder for 1 fuse (text legible, when inlet on top), bipolar switch, 4,8mm blade terminal, rocker red illuminated | 4304.6071 |
| 6762-X-9998-A-30024 | 6762, IEC Power Entry Module C14, 70°C, version: protection class 1, L: Blade terminal (6.3 x 0.8 mm), N: Blade terminal (6.3 x 0.8 mm), ground: Blade terminal (6.3 x 0.8 mm), fuseholder: Blade terminal (4.8 x 0.8 mm), color: Black, design: snap-in standard type, dimension X: 00, features: holder for 1 fuse (text legible, when inlet on top), bipolar switch, 4,8mm blade terminal, black rocker | 4304.6072 |
| 6762-X-8881-A-30024 | 6762, IEC Power Entry Module C14, 70°C, version: protection class 1, L: Blade terminal (4.8 x 0.8 mm), N: Blade terminal (4.8 x 0.8 mm), ground: Blade terminal (4.8 x 0.8 mm), fuseholder: solder terminal, color: Black, design: snap-in standard type, dimension X: 00, features: holder for 1 fuse (text legible, when inlet on top), bipolar switch, 4,8mm blade terminal, black rocker | 4304.6120 |

The listed variants should be available from stock Other versions on request www.schurter.com/contact

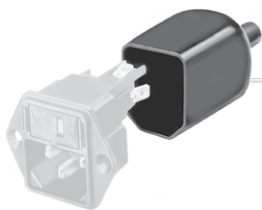
Most Popular:

Availability for all products can be searched real-time: <http://www.schurter.com/en/Stock-Check/Stock-Check-SCHURTER>

Packaging unit 50 Pcs

Accessories

Description



Assorted Covers
Rear Cover



Wire Harness
Wire harness for SCHURTER products

Mating Outlets/Connectors

Category / Description

[Connector Overview complete](#)



| | |
|--|--------|
| IEC Connector C15A, Rewireable, Straight | 0102 |
| IEC Connector C15A, Rewireable, Straight | 0102-G |
| IEC Connector C15A, Rewireable, Angled | 0112 |
| IEC Connector C13, Rewireable, Angled | 4012 |
| IEC Connector C13, Rewireable, Straight | 4022 |

[Connector further types to 6762](#)

...



[Interconnection Cord Overview complete](#)

| | |
|--------------------------------|-----------|
| Interconnection Cord C13, 10 A | 6007.0212 |
| Interconnection Cord C13, 10 A | 6007.0214 |

[Interconnection Cord further types to 6762](#)



[Power Cord Overview complete](#)

| | |
|---|-----------|
| Power Supply Cord with IEC plug C14, stripped end | 6007.0204 |
|---|-----------|

[Power Cord further types to 6762](#)



[Power Supply Cord Overview complete](#)

| | |
|---|-----------|
| Power Supply Cord with IEC Connector C13 straight, stripped end | 6000.0214 |
| Power Supply Cord with IEC Connector C13 angled, stripped end | 6000.0224 |
| EU Power Supply Cord with IEC Connector C13, straight | 6003.0215 |
| EU Power Supply Cord with IEC Connector C13, straight | 6004.0215 |
| US Power Supply Cord with IEC Connector C13, straight | 6009.1315 |

[Power Supply Cord further types to 6762](#)

...

[Power Supply or Interconnection Cord Overview complete](#)

| | |
|---|-----------|
| Diverse Power Supply and Interconnection Cords 10 A | 6003.0204 |
| Diverse Power Supply and Interconnection Cords 10 A | 6003.0205 |
| Diverse Power Supply and Interconnection Cords 10 A | 6026.0205 |
| UK Power Supply Cord with stripped ends | 6044.0204 |
| Diverse Power Supply and Interconnection Cords 10 A | 6045.0114 |

[Power Supply or Interconnection Cord further types to 6762](#)

...