

IEC Appliance Inlet C14 or C18 with Line Switch 2 pole and Fuseholder 1- or 2-pole



Description

- Panel Mount:
Screw-on version from front or rear side, Appliance Inlet, protection class I or II, Fuseholder for fuse-links 5 x 20 mm, Line Switch 2-pole
- Solder terminals or quick connect terminals

Approvals

- UL File Number: E93617
- CSA File Number: 27324

Characteristics

- Line switch non-illuminated or illuminated

Weblinks

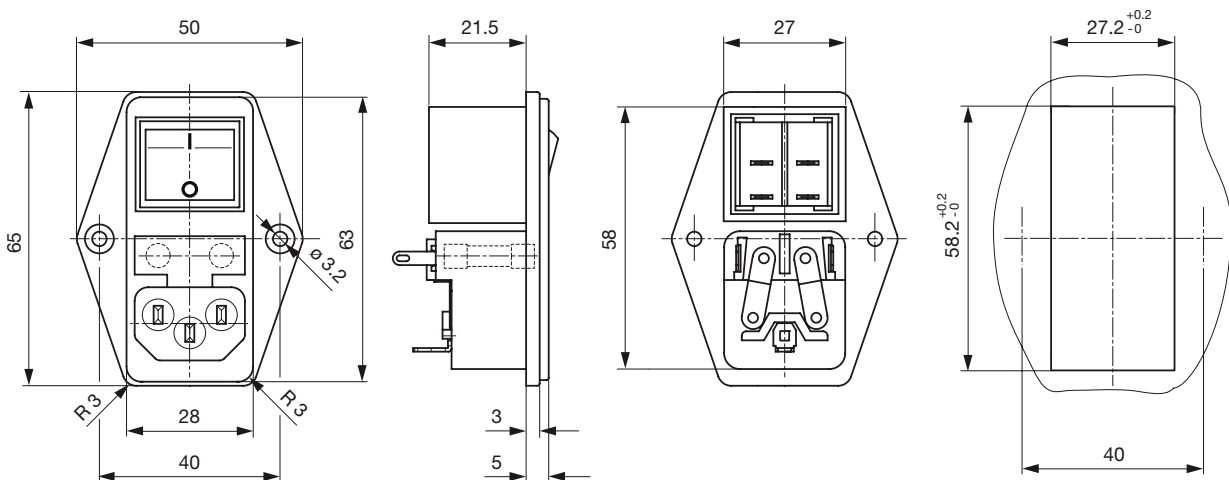
[pdf-datasheet](#), [html-datasheet](#), [General Product Information](#), [Approvals](#), [CE declaration of conformity](#), [RoHS](#), [CHINA-RoHS](#), [Mating Connectors](#), [e-Shop](#), [SCHURTER-Stock-Check](#), [Distributor-Stock-Check](#), [CAD-Drawings](#), [Accessories](#), [Wire Harnessing](#), [Detailed request for product](#)

Technical Data

Ratings IEC	10 A / 250 VAC; 50 Hz
Ratings UL/CSA	10 A / 250 VAC; 60 Hz
Dielectric Strength	> 3 kVAC between L-N > 1.5 kVAC between L/N-PE (1 min/50 Hz)
Allowable Operation Temp.	-25 °C to 70 °C
Degree of Protection	from front side IP 20 acc. to IEC 60529
Protection Class	Suitable for appliances with protection class I or II acc. to IEC 61140
Terminal	Solder terminals or quick connect terminals
Material: Housing	PA6, black, UL 94V-0

Appliance Inlet	C14 / C18 acc. to IEC 60320 UL 498, CSA C22.2 no. 42 (for cold conditions) pin-temperature 70 °C, 10 A, Protection Class I or II
Fuseholder	1 or 2 pole, acc. to IEC 60127-6, for fuse-links 5 x 20 mm
Power Acceptance @ Ta > 23°C	Admissible power acceptance at higher ambient temperature see derating curves
Line Switch	Rocker switch 2-pole, non-illuminated or illuminated black, acc. to IEC 61058-1 Technical Details

Dimensions



Length of the terminal please find at the order code configuration table

Config. Code

6765 - H - A B C N - D - E G O P

The characters are placeholders for the correspondingly keys of selections from the key tables.

6765 - H - A B C N - D - E G O P = Type

Type	Configuration key
protection class 2	B
protection class 1	X

6765 - H - A B C N - D - E G O P = Terminals

Terminal L	Configuration key
connection to fuse holder	B

6765 - H - A B C N - D - E G O P = Terminals

Terminal N	Configuration key
short solder terminal (L = 4.8 mm)	2
long solder terminal (L = 8.5 mm)	3
Blade terminal (4.8 x 0.8 mm)	8
Blade terminal (6.3 x 0.8 mm)	9
connection to fuse holder	B

Symbols similar as in table A

6765 - H - A B C N - D - E G O P = Terminals

Terminal Ground	Configuration key
without terminal	0
short solder terminal (L = 4.8 mm)	2
long solder terminal (L = 8.5 mm)	3
Blade terminal (4.8 x 0.8 mm)	8
Blade terminal (6.3 x 0.8 mm)	9

Symbols similar as in table A

6765 - H - A B C N - D - E G O P = Terminal Fuseholder

Terminal Fuseholder	Configuration key
solder terminal	1

6765 - H - A B C N - D - E G O P = Color

Color	Configuration key
Black	A

6765 - H - A B C N - D - E G O P = Style

Style	Configuration key
flange with countersunk holes	1

6765 - H - A B C N - D - E G O P = Dimension X

Dimension "X"	Configuration key
00	

The dimension "X" is displayed in ($1/_{10}$ mm). This information is also valid for the order code

6765 - H - A B C N - D - E G O P = Features

Features	Configuration key
dead cover	1
holder for 1 or 2 fuses (text legible, when inlet on top)	4
holder for 1 or 2 fuses (text legible, when inlet on bottom)	5

6765 - H - A B C N - D - E G O P = Switches

Switches	Configuration key
not used	0
dead cover	1
bipolar switch, 4,8mm blade terminal, black rocker	4
bipolar switch, solder terminals, black rocker	5
bipolar switch, 4,8mm blade terminal, rocker red illuminated	6
bipolar switch, solder terminal, rocker red illuminated	7
bipolar switch, 4,8mm blade terminals, rocker green illuminated	8
bipolar switch, solder terminals, rocker green illuminated	9

Variants

Config. Code	Description	Order Number
6765-X-BB21-A-10040	6765, IEC Power Entry Module C14, 70°C, version: protection class 1, L: connection to fuse holder, N: connection to fuse holder, ground: short solder terminal (L = 4.8 mm), fuseholder: solder terminal, color: Black, design: flange with countersunk holes, dimension X: 00, features: holder for 1 or 2 fuses (text legible, when inlet on top), not used	4304.6078
6765-X-BB21-A-10044	6765, IEC Power Entry Module C14, 70°C, version: protection class 1, L: connection to fuse holder, N: connection to fuse holder, ground: short solder terminal (L = 4.8 mm), fuseholder: solder terminal, color: Black, design: flange with countersunk holes, dimension X: 00, features: holder for 1 or 2 fuses (text legible, when inlet on top), bipolar switch, 4,8mm blade terminal, black rocker	4304.6079
6765-X-BB21-A-10045	6765, IEC Power Entry Module C14, 70°C, version: protection class 1, L: connection to fuse holder, N: connection to fuse holder, ground: short solder terminal (L = 4.8 mm), fuseholder: solder terminal, color: Black, design: flange with countersunk holes, dimension X: 00, features: holder for 1 or 2 fuses (text legible, when inlet on top), bipolar switch, solder terminals, black rocker	4304.6080
6765-X-BB21-A-10054	6765, IEC Power Entry Module C14, 70°C, version: protection class 1, L: connection to fuse holder, N: connection to fuse holder, ground: short solder terminal (L = 4.8 mm), fuseholder: solder terminal, color: Black, design: flange with countersunk holes, dimension X: 00, features: holder for 1 or 2 fuses (text legible, when inlet on bottom), bipolar switch, 4,8mm blade terminal, black rocker	4304.6081
6765-X-BB21-A-10055	6765, IEC Power Entry Module C14, 70°C, version: protection class 1, L: connection to fuse holder, N: connection to fuse holder, ground: short solder terminal (L = 4.8 mm), fuseholder: solder terminal, color: Black, design: flange with countersunk holes, dimension X: 00, features: holder for 1 or 2 fuses (text legible, when inlet on bottom), bipolar switch, solder terminals, black rocker	4304.6082
6765-X-BB81-A-10040	6765, IEC Power Entry Module C14, 70°C, version: protection class 1, L: connection to fuse holder, N: connection to fuse holder, ground: Blade terminal (4.8 x 0.8 mm), fuseholder: solder terminal, color: Black, design: flange with countersunk holes, dimension X: 00, features: holder for 1 or 2 fuses (text legible, when inlet on top), not used	4304.6085
6765-X-BB81-A-10044	6765, IEC Power Entry Module C14, 70°C, version: protection class 1, L: connection to fuse holder, N: connection to fuse holder, ground: Blade terminal (4.8 x 0.8 mm), fuseholder: solder terminal, color: Black, design: flange with countersunk holes, dimension X: 00, features: holder for 1 or 2 fuses (text legible, when inlet on top), bipolar switch, 4,8mm blade terminal, black rocker	4304.6087
6765-X-BB81-A-10046	6765, IEC Power Entry Module C14, 70°C, version: protection class 1, L: connection to fuse holder, N: connection to fuse holder, ground: Blade terminal (4.8 x 0.8 mm), fuseholder: solder terminal, color: Black, design: flange with countersunk holes, dimension X: 00, features: holder for 1 or 2 fuses (text legible, when inlet on top), bipolar switch, 4,8mm blade terminal, rocker red illuminated	4304.6088
6765-X-BB81-A-10048	6765, IEC Power Entry Module C14, 70°C, version: protection class 1, L: connection to fuse holder, N: connection to fuse holder, ground: Blade terminal (4.8 x 0.8 mm), fuseholder: solder terminal, color: Black, design: flange with countersunk holes, dimension X: 00, features: holder for 1 or 2 fuses (text legible, when inlet on top), bipolar switch, 4,8mm blade terminals, rocker green illuminated	4304.6089
6765-X-BB81-A-10054	6765, IEC Power Entry Module C14, 70°C, version: protection class 1, L: connection to fuse holder, N: connection to fuse holder, ground: Blade terminal (4.8 x 0.8 mm), fuseholder: solder terminal, color: Black, design: flange with countersunk holes, dimension X: 00, features: holder for 1 or 2 fuses (text legible, when inlet on bottom), bipolar switch, 4,8mm blade terminal, black rocker	4304.6090
6765-X-BB81-A-10058	6765, IEC Power Entry Module C14, 70°C, version: protection class 1, L: connection to fuse holder, N: connection to fuse holder, ground: Blade terminal (4.8 x 0.8 mm), fuseholder: solder terminal, color: Black, design: flange with countersunk holes, dimension X: 00, features: holder for 1 or 2 fuses (text legible, when inlet on bottom), bipolar switch, 4,8mm blade terminals, rocker green illuminated	4304.6091
6765-X-BB91-A-10044	6765, IEC Power Entry Module C14, 70°C, version: protection class 1, L: connection to fuse holder, N: connection to fuse holder, ground: Blade terminal (6.3 x 0.8 mm), fuseholder: solder terminal, color: Black, design: flange with countersunk holes, dimension X: 00, features: holder for 1 or 2 fuses (text legible, when inlet on top), bipolar switch, 4,8mm blade terminal, black rocker	4304.6092
6765-X-BB91-A-10045	6765, IEC Power Entry Module C14, 70°C, version: protection class 1, L: connection to fuse holder, N: connection to fuse holder, ground: Blade terminal (6.3 x 0.8 mm), fuseholder: solder terminal, color: Black, design: flange with countersunk holes, dimension X: 00, features: holder for 1 or 2 fuses (text legible, when inlet on top), bipolar switch, solder terminals, black rocker	4304.6093
6765-X-BB91-A-10046	6765, IEC Power Entry Module C14, 70°C, version: protection class 1, L: connection to fuse holder, N: connection to fuse holder, ground: Blade terminal (6.3 x 0.8 mm), fuseholder: solder terminal, color: Black, design: flange with countersunk holes, dimension X: 00, features: holder for 1 or 2 fuses (text legible, when inlet on top), bipolar switch, 4,8mm blade terminal, rocker red illuminated	4304.6094
6765-X-BB91-A-10054	6765, IEC Power Entry Module C14, 70°C, version: protection class 1, L: connection to fuse holder, N: connection to fuse holder, ground: Blade terminal (6.3 x 0.8 mm), fuseholder: solder terminal, color: Black, design: flange with countersunk holes, dimension X: 00, features: holder for 1 or 2 fuses (text legible, when inlet on bottom), bipolar switch, 4,8mm blade terminal, black rocker	4304.6095
6765-X-BB01-A-10040	6765, IEC Power Entry Module C14, 70°C, version: protection class 1, L: connection to fuse holder, N: connection to fuse holder, ground: without terminal, fuseholder: solder terminal, color: Black, design: flange with countersunk holes, dimension X: 00, features: holder for 1 or 2 fuses (text legible, when inlet on top), not used	4304.6122
6765-X-BB91-A-10048	6765, IEC Power Entry Module C14, 70°C, version: protection class 1, L: connection to fuse holder, N: connection to fuse holder, ground: Blade terminal (6.3 x 0.8 mm), fuseholder: solder terminal, color: Black, design: flange with countersunk holes, dimension X: 00, features: holder for 1 or 2 fuses (text legible, when inlet on top), bipolar switch, 4,8mm blade terminals, rocker green illuminated	4304.6153
6765-X-BB21-A-10050	6765, IEC Power Entry Module C14, 70°C, version: protection class 1, L: connection to fuse holder, N: connection to fuse holder, ground: short solder terminal (L = 4.8 mm), fuseholder: solder terminal, color: Black, design: flange with countersunk holes, dimension X: 00, features: holder for 1 or 2 fuses (text legible, when inlet on bottom), not used	4304.6203
6765-X-BB21-A-10048	6765, IEC Power Entry Module C14, 70°C, version: protection class 1, L: connection to fuse holder, N: connection to fuse holder, ground: short solder terminal (L = 4.8 mm), fuseholder: solder terminal, color: Black, design: flange with countersunk holes, dimension X: 00, features: holder for 1 or 2 fuses (text legible, when inlet on top), bipolar switch, 4,8mm blade terminals, rocker green illuminated	4304.6215

The listed variants should be available from stock Other versions on request www.schurter.com/contact

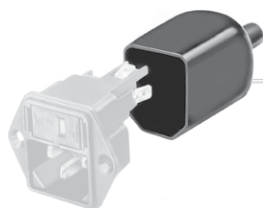
Most Popular.

Availability for all products can be searched real-time: <http://www.schurter.com/en/Stock-Check/Stock-Check-SCHURTER>

Packaging unit 50 Pcs

Accessories

Description



Assorted Covers
Rear Cover



Wire Harness
Wire harness for SCHURTER products

Mating Outlets/Connectors

Category / Description

[Connector Overview complete](#)



IEC Connector C15A, Rewireable, Straight	0102
IEC Connector C15A, Rewireable, Straight	0102-G
IEC Connector C15A, Rewireable, Angled	0112
IEC Connector C13, Rewireable, Angled	4012
IEC Connector C13, Rewireable, Straight	4022
Connector further types to 6765	...

[Interconnection Cord Overview complete](#)



Interconnection Cord C13, 10 A	6007.0212
Interconnection Cord C13, 10 A	6007.0214
Interconnection Cord further types to 6765	

[Power Cord Overview complete](#)



Power Supply Cord with IEC plug C14, stripped end	6007.0204
Power Cord further types to 6765	

[Power Supply Cord Overview complete](#)



Power Supply Cord with IEC Connector C13 straight, stripped end	6000.0214
Power Supply Cord with IEC Connector C13 angled, stripped end	6000.0224
EU Power Supply Cord with IEC Connector C13, straight	6003.0215
EU Power Supply Cord with IEC Connector C13, straight	6004.0215
US Power Supply Cord with IEC Connector C13, straight	6009.1315
Power Supply Cord further types to 6765	...

Category / Description

[Power Supply or Interconnection Cord Overview complete](#)

Diverse Power Supply and Interconnection Cords 10 A	6003.0204
Diverse Power Supply and Interconnection Cords 10 A	6003.0205
Diverse Power Supply and Interconnection Cords 10 A	6026.0205
UK Power Supply Cord with stripped ends	6044.0204
Diverse Power Supply and Interconnection Cords 10 A	6045.0114
Power Supply or Interconnection Cord further types to 6765	...