

## BENEFITS

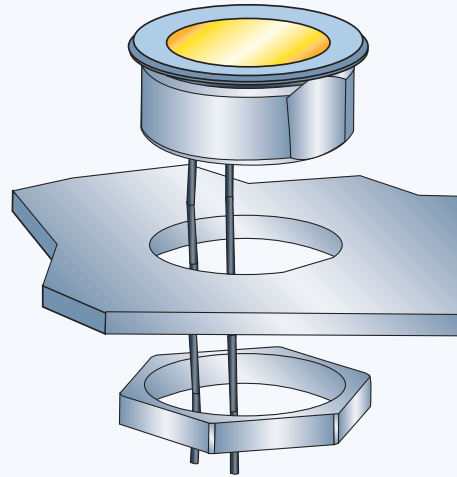
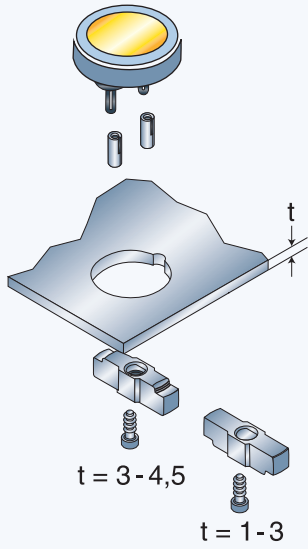
- Unique mechanical switches with tactile feedback
- Extremely high life time of 5 million switching
- Small mounting depth
- Various lettering options
- Front and rear tested to degree of protection IP 65

		MCS 18 gold contacts	MCS 18 silver contacts
<b>Electrical data</b>			
Contact material		gold	silver
Switching voltage	[mV] [V]	min. 50 DC max. 24 DC	min. 5V DC max. 48 DC
Switching current max.	[mA]	80	125
Rated breaking capacity	[W]	0.36	0.72
Lifetime (at rated breaking capacity)		>10 <sup>6</sup>	>10 <sup>6</sup>
Initial contact resistance, new	[mΩ]	<50	<50
Initial contact resistance, after lifetime	[mΩ]	<150	<150
Insulation resistance	[Ω]	>10 <sup>8</sup>	>10 <sup>8</sup>
Contact bounce time	[ms]	typ. 0.1	typ. 0.1
ESD resistance	[kV]	±16	±16
<b>Mechanical data</b>			
Actuating force	[N]	3 ± 1	3 ± 1
Contact travel	[mm]	0.5 ± 0.1	0.5 ± 0.1
End stop strength	[N]	>50	>50
Lifetime	[operations]	>1 Mio.	>1 Mio.
<b>Other data</b>			
Solderability	[°C/s]	235 / 2	235 / 2
Soldering heat resistance	[°C/s]	260 / 5	260 / 5
Ambient temperature	[°C]	-25 – +60	-25 – +60
Storage temperature	[°C]	-25 – +60	-25 – +60
Degree of protection		IP 65	IP 65
Recommended torque	[N/cm]	8	8
<b>Materials</b>			
Socket/Housing (SSM 27)		Thermoplast PES	Thermoplast PES
Face foil		PETP	PETP
Bezel		Thermoplast PBTP	Thermoplast PBTP
Contact material gold / silver		CuZn 37, 3µm Ni 2µm Au	CuZn 37, 2.5µm Ag
Soldering aid		tinned	tinned

**DIMENSIONS MCS 18**

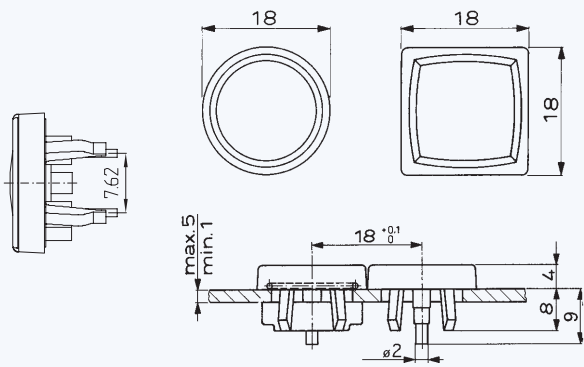
**SWITCHES-MOMENTARY ACTION**

**CONSTRUCTION**

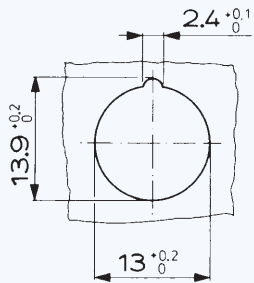


MCS 18

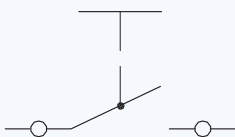
**DIMENSIONS**



**DRILLING DIAGRAM**



**CIRCUIT DIAGRAM**

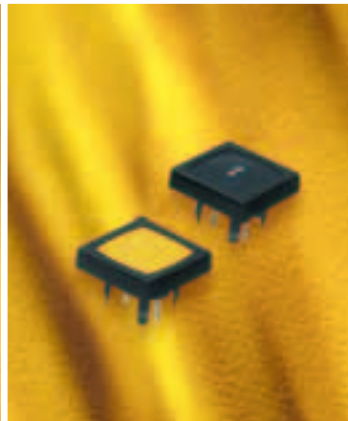


OVERVIEW MCS 18

SWITCHES - MOMENTARY ACTION



MCS 18



MCS 18

FEATURES			
Contact material	Ag		Au
Degree of protection	IP 65		IP 65
PART NUMBER *			
square	1241.1100.	x xxx	1241.1102. x xxx
round	1241.1104.	x xxx	1241.1106. x xxx
square with soldering aid	1241.1112.	x xxx	
round with soldering aid	1241.1113.	x xxx	
<b>Colour of bezel</b>			
red	3		3
grey	6		6
black	7		7
alu natural			
<b>Colour of face foil</b>			
red			
green			
<b>Colour of face foil without legend</b>			
yellow		091	091
red		093	093
green		095	095
grey		096	096
black		097	097
white		098	098
<b>Standard lettering</b>			
Order index	see page 29		see page 29
<b>Accessories</b>			
IP 65 to the front	0098.9201		0098.9201

\* X in the Part No. must be replaced by the desired version



## LETTERING

Depending on the application and font, there are various lettering possibilities. The following standards can be used for key letterings:

### ORDER INDEX LETTERING

A = 001	P = 016	4 = 031	↕ = 046	EIN = 061
B = 002	Q = 017	5 = 032	→ = 047	AUS = 062
C = 003	R = 018	6 = 033	← = 048	AUF = 063
D = 004	S = 019	7 = 034	↓ = 049	AB = 064
E = 005	T = 020	8 = 035	↑ = 050	ON = 065
F = 006	U = 021	9 = 036	% = 051	OFF = 066
G = 007	V = 022	+ = 037	√ = 052	UP = 067
H = 008	W = 023	- = 038	CTRL = 053	DOWN = 068
I = 009	X = 024	. = 039	RETURN = 054	HIGH = 069
J = 010	Y = 025	x = 040	SHIFT = 055	LOW = 070
K = 011	Z = 026	÷ = 041	LOCK = 056	ON/OFF = 071
L = 012	0 = 027	* = 042	STOP = 057	START = 072
M = 013	1 = 028	= = 043	ENTER = 058	
N = 014	2 = 029	# = 044	BACK = 059	
O = 015	3 = 030	↔ = 045	LINE = 060	

### MCS 18, LETTER HEIGHTS AND FONTS

- Single characters, Univers 65
- Legends max. 6 characters in line, Univers 65
- Insert label and front foil anthracite, RAL 7016
- Characters and symbols light grey, RAL 7035