

IEC Appliance Inlet C14 with Line Switch 2-pole



Description

- Panel Mount:
Screw-on version from front or rear side, snap-in version from front side
- 2 Functions:
Appliance Inlet Protection class I, Line Switch 2-pole
- Quick connect terminals 4.8 x 0.8 mm

Approvals

- VDE Certificate Number: 40021945
- UL File Number: E96454
- CSA File Number: 38456

Characteristics

- All single elements are already wired
Unwired versions available on request
- Line switch non-illuminated or illuminated

Other versions on request

- Unwired versions
- Line switch with other rocker marking
- For protection class II

References

Alternative: version with line filter [KFB2](#)
We recommend for new applications the new type [DC11](#)

Weblinks

[pdf-datasheet](#), [html-datasheet](#), [General Product Information](#), [Approvals](#), [CE declaration of conformity](#), [RoHS](#), [CHINA-RoHS](#), [Mating Connectors](#), [e-Shop](#), [SCHURTER-Stock-Check](#), [Distributor-Stock-Check](#), [CAD-Drawings](#), [Accessories](#), [Detailed request for product](#)

Technical Data

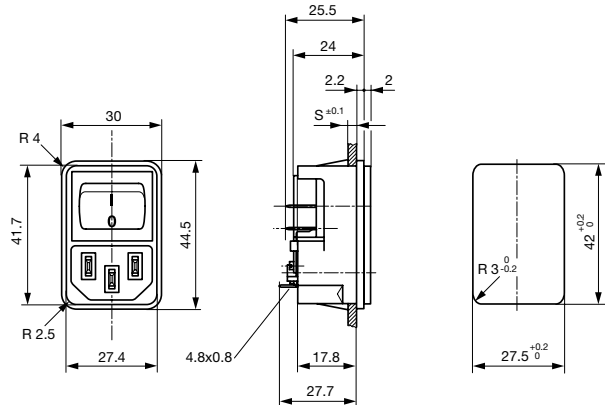
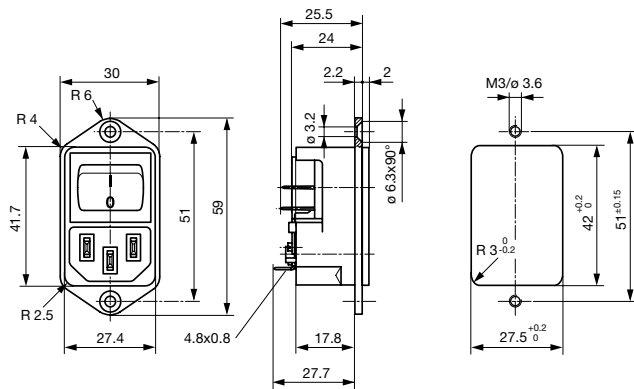
| | |
|---------------------------|--|
| Ratings IEC | 10 A / 250 VAC; 50 Hz |
| Ratings UL/CSA | 15 A / 250 VAC; 60 Hz |
| Dielectric Strength | > 2.5 kVAC between L-N > 3 kVAC between L/N-PE (1 min/50 Hz) |
| Allowable Operation Temp. | -25 °C to 70 °C |
| Degree of Protection | from front side IP 40 acc. to IEC 60529 |
| Protection Class | Suitable for appliances with protection class I acc. to IEC 61140 |
| Terminal | Quick connect terminals 4.8 x 0.8 mm |
| Panel Thickness s | Screw: max 6 mm Mounting screw torque max 0.5 Nm Snap-in: 1.5/2/2.5 mm |
| Material: Housing | Thermoplastic, black, UL 94V-0 |

| | |
|-----------------|---|
| Appliance Inlet | C14 acc. to IEC 60320, UL 498, CSA C22.2 no. 42 (for cold conditions) pin-temperature 70 °C, 10 A, Protection Class I |
| Line Switch | Rocker switch 2-pole, non-illuminated or illuminated, acc. to IEC 61058-1 Technical Details |

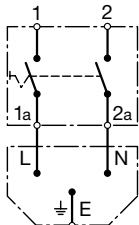
Dimensions

Screw-on mounting

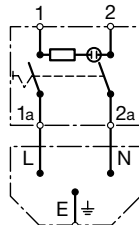
Snap-in mounting



Diagrams



non-illuminated



illuminated

Variants

| Panel mounting | Panel Thickness s [mm] | Illumination | Rated voltage 125/250 [V] | Color | Order Number |
|----------------|------------------------|--------------|---------------------------|-------|--------------|
| Screw | - | ● | 250 | red | 4302.2101 |
| Screw | - | ● | 250 | green | 4302.2141 |
| Screw | - | - | - | - | 4302.2001 |
| Snap-in | 1.5 | ● | 250 | red | 4302.2102 |
| Snap-in | 1.5 | ● | 250 | green | 4302.2142 |
| Snap-in | 2 | ● | 250 | red | 4302.2103 |
| Snap-in | 2 | ● | 250 | green | 4302.2143 |
| Snap-in | 2.5 | ● | 250 | red | 4302.2104 |
| Snap-in | 2.5 | ● | 250 | green | 4302.2144 |
| Snap-in | 1.5 | - | - | - | 4302.2002 |
| Snap-in | 2 | - | - | - | 4302.2003 |
| Snap-in | 2.5 | - | - | - | 4302.2004 |

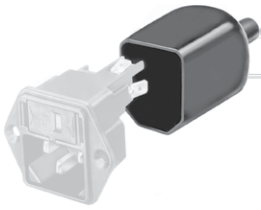
Most Popular.

Availability for all products can be searched real-time: <http://www.schurter.com/en/Stock-Check/Stock-Check-SCHURTER>

Packaging unit 50 Pcs

Accessories

Description



Assorted Covers
Rear Cover



Cord retaining kits
Cord retaining strain relief

Mating Outlets/Connectors

Category / Description

Appliance Outlet Overview complete



| | |
|---|------|
| IEC Appliance Outlet F, Screw-on Mounting, Front Side, Solder Terminal | 4787 |
| IEC Appliance Outlet F, Snap-in Mounting, Front Side, Solder or Quick-connect Terminal | 4788 |
| IEC Appliance Outlet F or H, Screw-on Mounting, Front Side, Solder, PCB or Quick-connect Terminal | 5091 |

[Appliance Outlet further types to KEB2](#)

Connector Overview complete



| | |
|--|--------|
| IEC Connector C15A, Rewireable, Straight | 0102 |
| IEC Connector C15A, Rewireable, Straight | 0102-G |
| IEC Connector C15A, Rewireable, Angled | 0112 |
| IEC Connector C13, Rewireable, Angled | 4012 |
| IEC Connector C13, Rewireable, Straight | 4022 |

[Connector further types to KEB2](#) ...