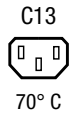


IEC Connector C13, Rewireable, Angled



Description

- Connector:
Screwing cable terminal,
- 1 Function:
Pin temperature 70 °C, Protection class I, Cable
- Note: cable guard has to be ordered separately, mating cable guards please find under accessories

Approvals

- VDE Certificate Number: 40010002
- UL File Number: E45115
- CSA File Number: 1612079

References

We recommend for new applications the type [4300-06](#)

Weblinks

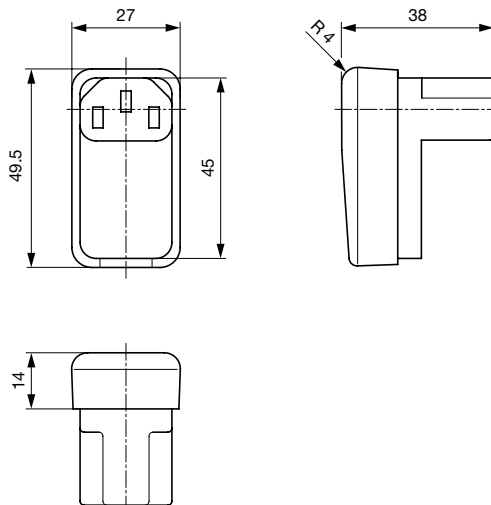
[pdf-datasheet](#), [html-datasheet](#), [General Product Information](#), [Approvals](#), [CE declaration of conformity](#), [RoHS](#), [CHINA-RoHS](#), [Mating Connectors](#), [e-Shop](#), [SCHURTER-Stock-Check](#), [Distributor-Stock-Check](#), [CAD-Drawings](#), [Accessories](#), [Mounting instruction](#), [Detailed request for product](#)

Technical Data

Ratings IEC	10 A / 250 VAC; 50 Hz
Ratings UL/CSA	15 A / 250 VAC; 60 Hz
Dielectric Strength	> 3 kVAC between L-N > 1.5 kVAC between L/N-PE (1 min/50 Hz)
Allowable Operation Temp.	-25 °C to 70 °C
Degree of Protection	from front side IP 20 acc. to IEC 60529
Protection Class	Suitable for appliances with protection class I acc. to IEC 61140
Terminal	Screw clamps
Material: Housing	PA6, black or grey, UL 94V-0

Connector	C13 acc. to IEC 60320 UL 498, CSA C22.2 no. 42 (for cold conditions) pin-temperature 70 °C, 10 A, Protection Class I
-----------	---

Dimensions



Config. Code

4012 - H - A B C 0 - D - E J

The characters are placeholders for the correspondingly keys of selections from the key tables.

4012 - H - A B C 0 - D - E J = Type

Type	Configuration key
protection class 1	X

4012 - H - A B C 0 - D - E J = Terminals

Terminal L	Configuration key
screw terminal	A

4012 - H - A B C 0 - D - E J = Terminals

Terminal N	Configuration key
screw terminal	A

Symbols similar as in table A

4012 - H - A B C 0 - D - E J = Terminals

Terminal Ground	Configuration key
screw terminal	A

Symbols similar as in table A

4012 - H - A B C 0 - D - E J = Color

Color	Configuration key
Black	A
Grey	B

4012 - H - A B C 0 - D - E J = Style

Style	Configuration key
for cord assembly	8

4012 - H - A B C 0 - D - E J = Condition

Condition	Configuration key
assembled	1
disassembled	2

Variants

Color	Max. cable diameter	Max. wire size	Order Number
black	diverse	3 x 1.5 mm ²	4310.0019
grey	diverse	3 x 1.5 mm ²	4310.0020

Most Popular.

Availability for all products can be searched real-time:<http://www.schurter.com/en/Stock-Check/Stock-Check-SCHURTER>

Max. torque for screws: Terminals: 0.5 Nm, Cable clamps: 0.8 Nm, Cover: 0.8 Nm

Variants

Config. Code	Description	Order Number
4012-X-AAA0-A-81	4012, IEC Connector, C13, 70°C, version: 1, L: screw terminal, N: screw terminal, ground: screw terminal, color: Black, design: for cord assembly, condition:assembled	4310.0019
4012-X-AAA0-B-81	4012, IEC Connector, C13, 70°C, version: 1, L: screw terminal, N: screw terminal, ground: screw terminal, color: Grey, design: for cord assembly, condition:assembled	4310.0020

The listed variants should be available from stock Other versions on request www.schurter.com/contact

Most Popular.

Availability for all products can be searched real-time:<http://www.schurter.com/en/Stock-Check/Stock-Check-SCHURTER>

Max. torque for screws: Terminals: 0.5 Nm, Cable clamps: 0.8 Nm, Cover: 0.8 Nm

Packaging unit 50 Pcs

Accessories

Description



Cable Guard KT14
PVC Cable Guard for rewireable connectors

Mating Inlets/Plugs

Category / Description

Appliance Inlet Overview complete



IEC Appliance Inlet C14, Snap-in Mounting, Front Side, Solder or Quick-connect Terminal	0711
IEC Appliance Inlet C14, Snap-in Mounting, Solder, Quick-connect, Screw or PCB Terminal	6010
IEC Appliance Inlet C18, Snap-in Mounting, Solder, Quick-connect, Screw- or PCB Terminal	6015
IEC Appliance Inlet C14, Screw-on Mounting, Front or Rear Side, Solder or Quick-connect or Screw-on Terminal	6048
IEC Appliance Inlet C14, Screw-on Mounting, Front or Rear Side, Solder or Quick-connect or Screw-on Terminal	6049
Appliance Inlet further types to 4012	...

Distribution Unit Overview complete



Distribution Unit for Snap-in Mounting with 1 IEC Appliance Inlet C14 and 1 Appliance Outlet F	0712
Distribution Unit with 1 IEC Appliance Inlet C14 or Power Cord, 5 or 6 IEC Appliance Outlets F and Extra Components	4740
Distribution Unit with 1 IEC Appliance Inlet C14 and 2 Appliance Outlets F, Shuttered	4741
Distribution Unit with 1 IEC Appliance Inlet C14 and 4 Appliance Outlets F	4747
Distribution Unit further types to 4012	...

Plug Overview complete



IEC Plug E, Cord Connector (Rewireable), Straight, max. cable Diameter 8.5 mm	4732
IEC Plug E, Cord Connector (Rewireable), Angled, max. Cable Diameter 8.5 mm	4733
IEC Plug E, Cord Connector (Rewireable), Straight, max. Cable Diameter 10 mm	4735
IEC Plug E, Cord Connector (Rewireable), Angled, max. Cable Diameter 10 mm	4736
IEC Plug E, Cord Connector (Rewireable), Straight	9009
Plug further types to 4012	...

Power Entry Module Overview complete



IEC Appliance Inlet C14 or C18 with Fuseholder 1- or 2-pole	1062
IEC Appliance Inlet C14 or C18 with Fuseholder 1- or 2-pole	1064
IEC Appliance Inlet C14 or C18 with Fuseholder 1- or 2-pole	4707
IEC Appliance Inlet C14 with Circuit Breaker TA35 2-pole	6135
IEC Appliance Inlet C14 with Circuit Breaker TA45	6145
Power Entry Module further types to 4012	...

Power Entry Module with line filter Overview complete



IEC Appliance Inlet C14 with Filter	5110
IEC Appliance Inlet C14 with Filter, Circuit Breaker TA45	5145
IEC Appliance Inlet C14 with Filter, Fuseholder 1-pole	5200
IEC Appliance Inlet C14 with Filter, Fuseholder 1- or 2-pole	5220
IEC Appliance Inlet C14 with Filter, Fuseholder 2-pole	8843-8
Power Entry Module with line filter further types to 4012	...