

IEC Connector C19, Rewireable, Angled



C19



70° C



**Description**

- Rewireable connector for cable 90° entry:  
Screwing cable terminal
- Connector, Pin temperature 70 °C, Protection class I
- Screw clamps

**Approvals**

- VDE Certificate Number: 40036952
- CSA File Number: 205419
- CCC File Number: 2009010204383057

**Characteristics**

- Suitable for use in equipment according to IEC/UL 60950

**References**

Substitute for type 1651

**Weblinks**

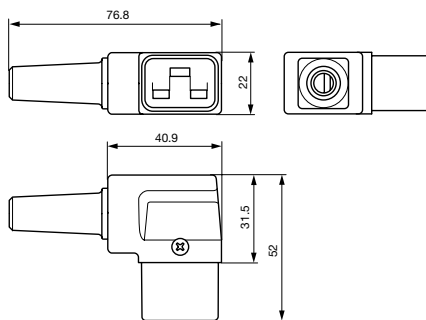
pdf-datasheet, html-datasheet, General Product Information, Approvals, CE declaration of conformity, RoHS, CHINA-RoHS, Mating Connectors, e-Shop, SCHURTER-Stock-Check, Distributor-Stock-Check, CAD-Drawings, Accessories, Mounting instruction, Detailed request for product

**Technical Data**

Ratings IEC	16A / 250VAC; 50Hz
Ratings UL/CSA	20A / 250VAC; 60 Hz
Dielectric Strength	> 2 kVAC between L-N > 2 kVAC between L/N-PE (1 min/50Hz)
Allowable Operation Temp.	-25 °C to 70 °C
Protection Class	Suitable for appliances with protection class I acc. to IEC 61140
Terminal	Screw
Material: Housing	Thermoplastic, black, UL 94V-0

Connector	C19 acc. to IEC/EN 60320-1, UL 498, CSA C22.2 no. 42 (for cold conditions) pin-temperature 70 °C, 16A, Protection Class I
-----------	---

**Dimensions**



**Variants**

Color	Max. cable diameter	Max. wire size	Order Number
black	8.7 mm	3 x 1.5 mm <sup>2</sup> / 3 x 16 AWG	4790.1100
black	10 mm	3 x 2.1 mm <sup>2</sup> / 3 x 14 AWG	4790.1200

Most Popular.

Availability for all products can be searched real-time: <http://www.schurter.com/en/Stock-Check/Stock-Check-SCHURTER>

Max. torque for screws: Terminals: 0.8 Nm, Cable clamps: 0.8 Nm, Cover: 0.5 Nm

Packaging unit 50 Pcs

## Mating Inlets/Plugs

## Category / Description

[Appliance Inlet Overview complete](#)

IEC Appliance Inlet C20, Screw-on Mounting, Rear Side, PCB Terminal	1601
IEC Appliance Inlet C20, Screw-on Mounting, Front Side, Solder, Quick-connect or Screw Terminal	1621
IEC Appliance Inlet C20, Snap-in Mounting, Front Side, Solder or Quick-connect Terminal	4793
IEC Appliance Inlet C24, Snap-in Mounting, Front Side, Solder or Quick-connect Terminal	4794
IEC Appliance Inlet C20, Screw-on Mounting, Front Side, Solder or Quick-connect Terminal	4798

[Appliance Inlet further types to 4790](#)[Appliance inlets/-outlets Overview complete](#)

Plug Coupler IEC C20 / IEC J, Screw-on Mounting	4730
---	------

[Appliance inlets/-outlets further types to 4790](#)[Plug Overview complete](#)

IEC Plug I, Cord Connector (Rewireable), Angled	4789
IEC Plug I, Cord Connector (Rewireable), Straight	4796

[Plug further types to 4790](#)[Power Entry Module Overview complete](#)

IEC Appliance Inlet C20 with Line Switch, 2-pole	EC11
IEC Appliance Inlet C20 with Circuit Breaker TA45	EF11
	EG11

[Power Entry Module further types to 4790](#)[Power Entry Module with line filter Overview complete](#)

IEC Appliance Inlet C20 with Filter, ECO design, front or rear side Mounting	5130
IEC Appliance Inlet C20 with Filter, Front or Rear Side Mounting	C20F
IEC Appliance Inlet C22 for Hot Conditions, with Filter for High Temperatures, Front Side Mounting	C22F
IEC Appliance Inlet C20 with Filter, Line Switch 2-pole	EC12
IEC Appliance Inlet C20 with Filter, Circuit Breaker TA45 (recessed)	EF12

[Power Entry Module with line filter further types to 4790](#)

...