

IEC Appliance Inlet C18, Snap-in Mounting, Front Side, Solder or Quick-connect Terminal



6102-5



Description

- Panel Mount:
Snap-in version from front side
- 1 Function:
- Appliance Inlet, Pin temperature 70 °C, Protection class II
- Solder terminals or quick connect terminals

Approvals

- VDE Certificate Number: 40015595
- UL File Number: E96454

Other versions on request

- Other panel thickness
- Types for enhanced glow wire test requirements acc. IEC 60695-2-12 and -13 for the use in unattended household equipment acc. IEC 60335-1

References

Alternative: Version in protection class I 6100-4

Weblinks

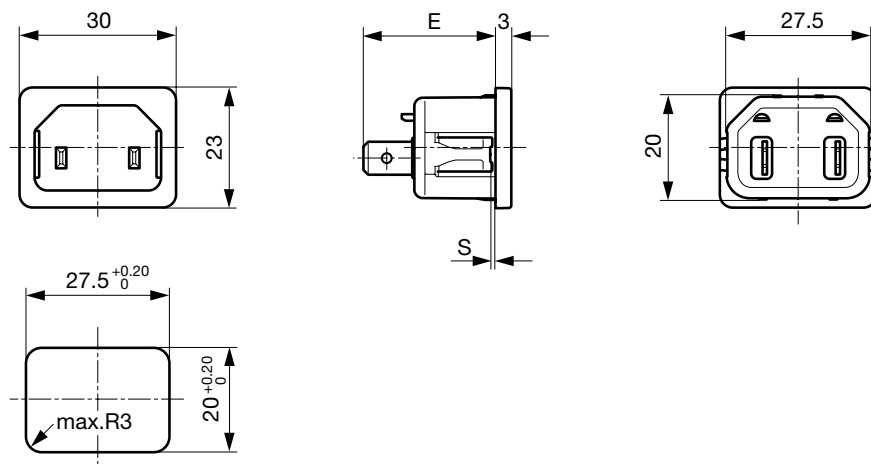
[pdf-datasheet](#), [html-datasheet](#), [General Product Information](#), [Approvals](#), [CE declaration of conformity](#), [RoHS](#), [CHINA-RoHS](#), [Mating Connectors](#), [e-Shop](#), [SCHURTER-Stock-Check](#), [Distributor-Stock-Check](#), [CAD-Drawings](#), [Accessories](#), [Mounting instruction](#), [Detailed request for product](#)

Technical Data

| | |
|---------------------------|--|
| Ratings IEC | 10A / 250VAC; 50Hz |
| Ratings UL/CSA | 15A / 250VAC; 60Hz |
| Dielectric Strength | > 2kVAC between L-N (1 min/50Hz) |
| Allowable Operation Temp. | -25 °C to 70 °C |
| Degree of Protection | from front side IP 30 acc. to IEC 60529 |
| Protection Class | Suitable for appliances with protection class II acc. to IEC 61140 |
| Terminal | Solder terminals or quick connect terminals |
| Panel Thickness s | Snap-in: 1/1.2/1.5/2/2.5/3 mm |
| Material: Housing | Thermoplastic, black, UL 94V-0 |

| | |
|-----------------|---|
| Appliance Inlet | C18 acc. to IEC 60320, UL 498, CSA C22.2 no. 42 (for cold conditions) pin-temperature 70 °C, 10A, Protection Class II |
|-----------------|---|

Dimensions



E: Solder terminals 22.5 mm
E: Quick connect terminals 25.5 mm
S: 1.0; 1.2; 1.5; 2.0; 2.5; 3.0 mm

Variants

| Type | Protection Class | Panel mounting | Panel Thickness s [mm] | Terminal | Order Number |
|--------|------------------|----------------|---------------------------|--------------------------------------|--------------|
| 6102-5 | II | Snap-in | 1.5 | Quick connect terminals 4.8 x 0.8 mm | 6102.5215 |
| 6102-5 | II | Snap-in | 2 | Quick connect terminals 4.8 x 0.8 mm | 6102.5220 |
| 6102-5 | II | Snap-in | 2.5 | Quick connect terminals 4.8 x 0.8 mm | 6102.5225 |
| 6102-5 | II | Snap-in | 3 | Quick connect terminals 4.8 x 0.8 mm | 6102.5230 |
| 6102-5 | II | Snap-in | 1 | Quick connect terminals 6.3 x 0.8 mm | 6102.5310 |
| 6102-5 | II | Snap-in | 1.2 | Quick connect terminals 6.3 x 0.8 mm | 6102.5312 |
| 6102-5 | II | Snap-in | 1.5 | Quick connect terminals 6.3 x 0.8 mm | 6102.5315 |
| 6102-5 | II | Snap-in | 2 | Quick connect terminals 6.3 x 0.8 mm | 6102.5320 |
| 6102-5 | II | Snap-in | 2.5 | Quick connect terminals 6.3 x 0.8 mm | 6102.5325 |
| 6102-5 | II | Snap-in | 3 | Quick connect terminals 6.3 x 0.8 mm | 6102.5330 |
| 6102-5 | II | Snap-in | 1 | Solder terminals 3.8 x 0.8 mm | 6102.5110 |
| 6102-5 | II | Snap-in | 1.2 | Solder terminals 3.8 x 0.8 mm | 6102.5112 |
| 6102-5 | II | Snap-in | 1.5 | Solder terminals 3.8 x 0.8 mm | 6102.5115 |
| 6102-5 | II | Snap-in | 2.5 | Solder terminals 3.8 x 0.8 mm | 6102.5125 |
| 6102-5 | II | Snap-in | 3 | Solder terminals 3.8 x 0.8 mm | 6102.5130 |

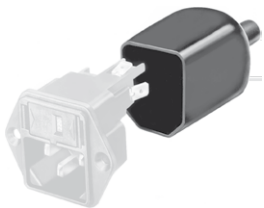
Availability for all products can be searched real-time: <http://www.schurter.com/en/Stock-Check/Stock-Check-SCHURTER>

Articles for enhanced glow wire test requirements acc. IEC 60695-2-12 and -13 can be ordered with ending ".15" (xxxx.xxxx.15). They are suitable for the use in unattended household equipment acc. IEC 60335-1.

Packaging unit 50 Pcs

Accessories

Description



Assorted Covers
Rear Cover



Cord retaining kits
Cord retaining strain relief

Mating Outlets/Connectors

Category / Description

[Connector Overview complete](#)



| | |
|--|--------|
| IEC Connector C15A, Rewireable, Straight | 0102 |
| IEC Connector C15A, Rewireable, Straight | 0102-G |
| IEC Connector C15A, Rewireable, Angled | 0112 |
| IEC Connector C13, Rewireable, Angled | 4012 |
| IEC Connector C13, Rewireable, Straight | 4022 |

[Connector further types to 6102-5](#)

...



[Power Supply or Interconnection Cord Overview complete](#)

[Diverse Power Supply and Interconnection Cords 10 A](#)

[Cord Sets 10 A](#)

[Power Supply or Interconnection Cord further types to 6102-5](#)