



Screw-On Version



Description

- Panel Mount:
Snap-in or screw-on mounting, from front side
- 1 Function:
Connector, Pin temperature 70 °C Protection class I
- Solder terminals or quick connect terminals

Approvals

- UL File Number: E103791
- CCC File Number: 2007010204247449

Characteristics

- Suitable for use in equipment according to IEC/UL 60950

Other versions on request

- Other panel thickness
- For protection class II
- Types for enhanced glow wire test requirements acc. IEC 60695-2-12 and -13 for the use in unattended household equipment acc. IEC 60335-1
- Variant with notch for V-Lock mating Cordsets

References

Substitute for type [0723](#); [5213](#); [5216](#)

Weblinks

[pdf-datasheet](#), [html-datasheet](#), [General Product Information](#), [Approvals](#), [CE declaration of conformity](#), [RoHS](#), [CHINA-RoHS](#), [Mating Connectors](#), [e-Shop](#), [SCHURTER-Stock-Check](#), [Distributor-Stock-Check](#), [CAD-Drawings](#), [Accessories](#), [Wire Harnessing](#), [Mounting instruction](#), [Detailed request for product](#)

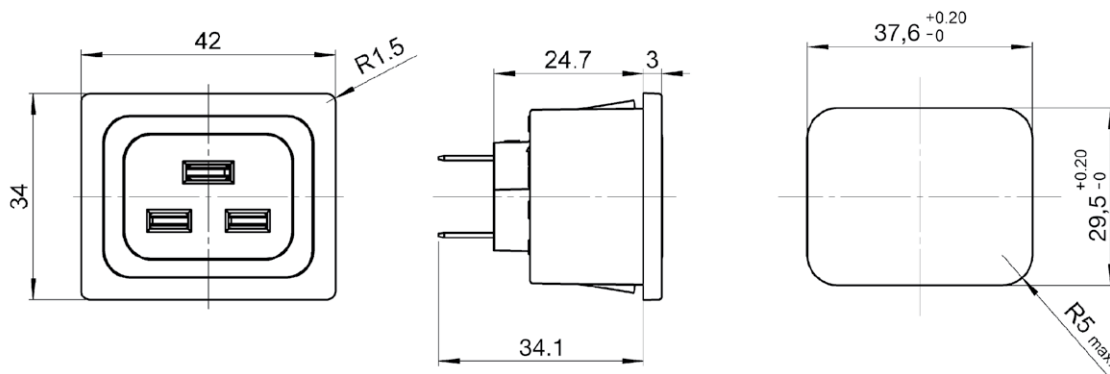
Newly available variants corresponding to V-Lock mating cordset. The connector is equipped with a notch intended for use with the latching cordset. The cord latching system prevents against accidental removal of the cordset.

Technical Data

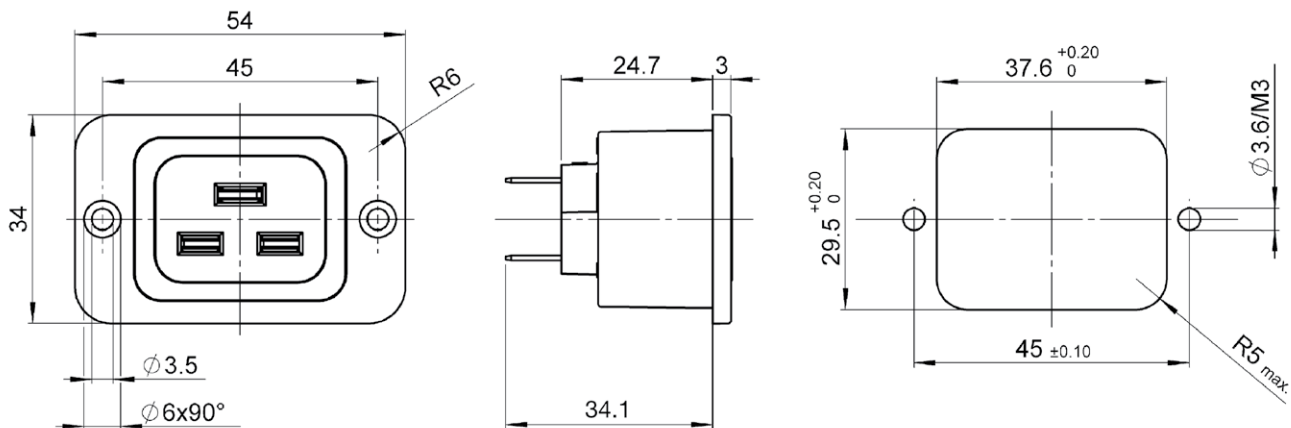
Ratings IEC	16A / 250VAC; 50Hz	Appliance Outlet	J acc. to IEC 60320
Ratings UL/CSA	20A / 250VAC; 60Hz		UL 498, CSA C22.2 no. 42 (for cold conditions) pin-temperature 70 °C, 16A, Protection Class I
Dielectric Strength	> 2.5kVAC between L-N > 3kVAC between L/N-PE (1 min/50Hz)		
Allowable Operation Temp.	-25 °C to 70 °C		
Protection Class	Suitable for appliances with protection class I or II acc. to IEC 61140		
Terminal	Solder terminals or quick connect terminals		
Panel Thickness s	Screw: max 8 mm Mounting screw torque max 0.5Nm Snap-in: 0.8 mm to 3 mm		
Material: Housing	Thermoplastic, black, UL 94V-0		

Dimensions

Snap-in mounting from front side



Screw-on mounting from front side

**Variants**

Panel mounting	Panel Thickness s [mm]	Terminal	Protection Class	Order Number	
Screw	-	Quick connect terminals 6.3 x 0.8 mm	I	4797.0000	■
Screw	-	Quick connect terminals 6.3 x 0.8 mm	I	4797.0000.01	■
Screw	-	Solder terminals	I	4797.3000	■
Snap-in	1	Quick connect terminals 6.3 x 0.8 mm	I	4797.0010	■
Snap-in	1.2	Quick connect terminals 6.3 x 0.8 mm	I	4797.0012	■
Snap-in	1.5	Quick connect terminals 6.3 x 0.8 mm	I	4797.0015	■
Snap-in	1.5	Quick connect terminals 6.3 x 0.8 mm	I	4797.0015.01	■
Snap-in	2	Quick connect terminals 6.3 x 0.8 mm	I	4797.0020	■
Snap-in	2.5	Quick connect terminals 6.3 x 0.8 mm	I	4797.0025	■
Snap-in	3	Quick connect terminals 6.3 x 0.8 mm	I	4797.0030	■
Snap-in	1	Solder terminals	I	4797.3010	■
Snap-in	1.2	Solder terminals	I	4797.3012	■
Snap-in	1.5	Solder terminals	I	4797.3015	■
Snap-in	1.5	Solder terminals	I	4797.3015.01	■
Snap-in	2	Solder terminals	I	4797.3020	■
Snap-in	2.5	Solder terminals	I	4797.3025	■
Snap-in	3	Solder terminals	I	4797.3030	■

■ Most Popular.

Panel mounting	Panel Thickness s [mm]	Terminal	Protection Class	Order Number
----------------	---------------------------	----------	------------------	--------------

Availability for all products can be searched real-time: <http://www.schurter.com/en/Stock-Check/Stock-Check-SCHURTER>

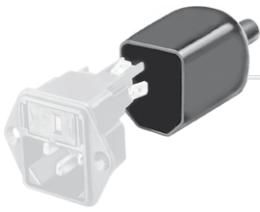
Suffix ".01" corresponds to the version with V-Lock mating cordset. The connector is equipped with a notch intended for use with the latching cordset. The cord latching system prevents against accidental removal of the cordset.

Articles for enhanced glow wire test requirements acc. IEC 60695-2-12 and -13 can be ordered with ending ".15" (xxxx.xxx.15). They are suitable for the use in unattended household equipment acc. IEC 60335-1.

Packaging unit 50 Pcs

Accessories

Description



Assorted Covers
Rear Cover



Wire Harness
Wire harness for SCHURTER products



Cord retaining kits
Cord retaining strain relief

Mating Inlets/Plugs

Category / Description



[Plug Overview complete](#)

IEC Plug I, Cord Connector (Rewireable), Angled	4789
IEC Plug I, Cord Connector (Rewireable), Straight	4796

[Plug further types to 4797](#)