

IEC Appliance Inlet C6, Screw-on Mounting, Front Side, Solder Terminal



Description

- Panel Mount:
Screw-on mounting from front or rear-side
- 1 Function
- Appliance Inlet, Pin temperature 70 °C, Protection class I
- Solder terminals for wires or PCB

Approvals

- UL File Number: E96454
- CSA File Number: 73165
- CCC File Number: 2011010204483966

Characteristics

- Contact pins rolled

Weblinks

[pdf-datasheet](#), [html-datasheet](#), [General Product Information](#), [Approvals](#), [CE declaration of conformity](#), [RoHS](#), [CHINA-RoHS](#), [Mating Connectors](#), [e-Shop](#), [SCHURTER-Stock-Check](#), [Distributor-Stock-Check](#), [CAD-Drawings](#), [Accessories](#), [Mounting instruction](#), [Detailed request for product](#)

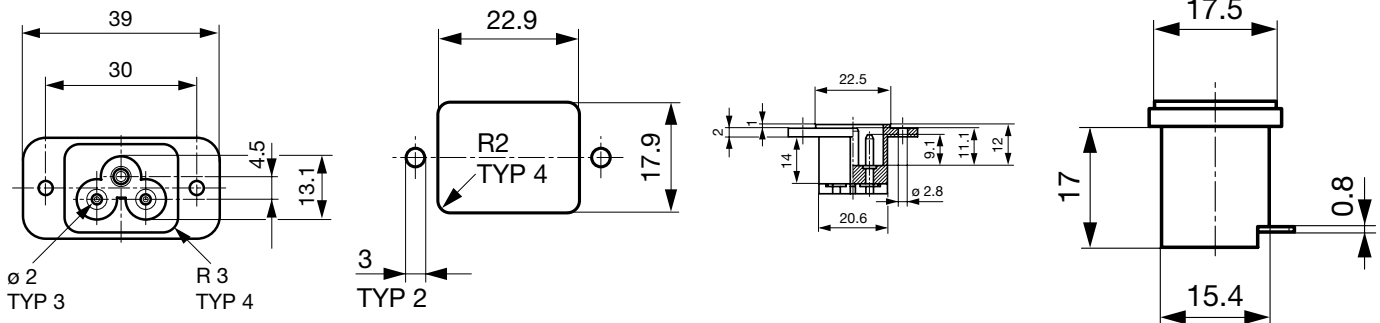
Technical Data

Ratings IEC	2.5 A / 250 VAC; 50 Hz
Ratings UL/CSA	2.5 A / 250 VAC; 60 Hz
Dielectric Strength	> 2 kVAC between L-N > 2 kVAC between L/N-PE (1 min/50 Hz)
Allowable Operation Temp.	-25 °C to 70 °C
Degree of Protection	from front side IP 40 acc. to IEC 60529
Protection Class	Suitable for appliances with protection class I acc. to IEC 61140
Terminal	Solder terminals for wires or PCB
Panel Thickness s	Screw: max 4 mm Mounting screw torque max 0.5 Nm
Material: Housing	Thermoplastic, black, UL 94V-0

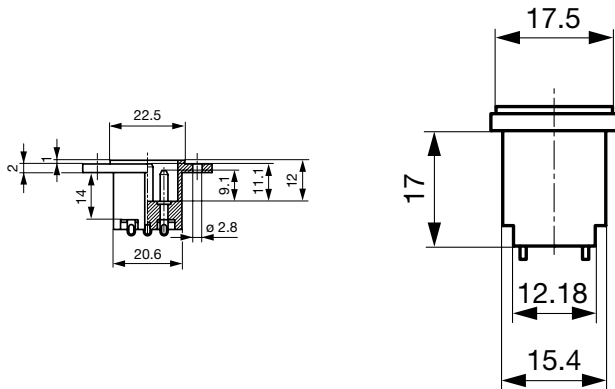
Appliance Inlet	C6 acc. to IEC 60320, UL 498, CSA C22.2 no. 42 (for cold conditions) pin-temperature 70 °C, 2.5 A, Protection Class I
-----------------	---

Dimensions

Solder terminals for PCB

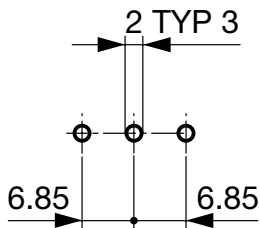


Solder terminals for wires



Drilling diagrams

PCB Layout



Variants

Type	Panel mounting	Panel Thickness s [mm]	Terminal	Order Number
0724	Screw	4	PCB	4300.0101
0724	Screw	4	Solder terminals	4300.0100

Most Popular.

Availability for all products can be searched real-time: <http://www.schurter.com/en/Stock-Check/Stock-Check-SCHURTER>

Packaging unit 100 Pcs