

IEC Appliance Inlet C8, Snap-in Mounting, Front Side, Solder Terminal



Snap-In Version



Description

- Panel Mount:
Snap-in version, from front side
- 1 Function
- Appliance Inlet, Pin temperature 70 °C, Protection class II
- Solder terminals

Approvals

- UL File Number: E96454
- CSA File Number: 73165
- CCC File Number: 2011010204483971

Characteristics

- Contact pins rolled

References

Alternative: version with line filter 5008

Weblinks

pdf-datasheet, html-datasheet, General Product Information, Approvals, CE declaration of conformity, RoHS, CHINA-RoHS, Mating Connectors, e-Shop, SCHURTER-Stock-Check, Distributor-Stock-Check, CAD-Drawings, Accessories, Mounting instruction, Detailed request for product

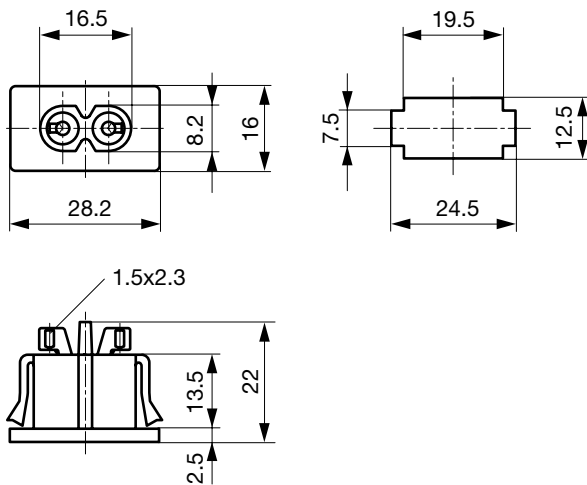
Technical Data

Ratings IEC	2.5A / 250VAC; 50Hz
Ratings UL/CSA	2.5A / 250VAC; 60Hz
Dielectric Strength	> 2 kVAC between L-N (1 min/50Hz)
Allowable Operation Temp.	-25 °C to 70 °C
Degree of Protection	from front side IP 40 acc. to IEC 60529
Protection Class	Suitable for appliances with protection class II acc. to IEC 61140
Terminal	Solder terminals
Panel Thickness s	Snap-in from 0.8 - 1.6mm
Material: Housing	Thermoplastic, black, UL 94V-0

Appliance Inlet	C8 acc. to IEC 60320, UL 498, CSA C22.2 no. 42 (for cold conditions) pin-temperature 70 °C, 2.5A, Protection Class II
-----------------	-----------------------------------------------------------------------------------------------------------------------------

Dimensions

0721-PS



Solder terminals for wires

Variants

Type	Panel mounting	Panel Thickness s [mm]	Terminal	Order Number
0721-PS	Snap-in	0.8 - 1.6	Solder terminals	4300.0098

Most Popular.

Availability for all products can be searched real-time: <http://www.schurter.com/en/Stock-Check/Stock-Check-SCHURTER>

Packaging unit 100 Pcs

Mating Outlets/Connectors

Category / Description

[Power Supply or Interconnection Cord Overview complete](#)



Diverse Power Supply and Interconnection Cords 2.5 A	CS01.0121.150
Diverse Power Supply and Interconnection Cords 2.5 A	CS01.0221.150
Diverse Power Supply and Interconnection Cords 2.5 A	CS01.0321.150
Diverse Power Supply and Interconnection Cords 2.5 A	CS01.0421.150
Diverse Power Supply and Interconnection Cords 2.5 A	CS03.0421.150
Power Supply or Interconnection Cord further types to 0721-PS	...