

## Specifications

Insulation Resistance: 1,000MΩ min. at 500V DC  
 Dielectric Withstanding Voltage: 700V AC for 1 minute  
 Contact Resistance: 30mΩ max. at 10mA/20mV max.  
 Operating Temperature Range: -40°C to +150°C (type PSF)  
 -55°C to +170°C (type PES & PEI)  
 Mating Cycles: 10,000 insertions min.

## Materials and Finish

Housing: Polysulphone (PSF), glass-filled  
 Polyethersulphone (PES), glass- filled  
 Polyetherimide (PEI), glass-filled  
 Contacts: Beryllium Copper (BeCu)  
 Plating: Gold over Nickel

## Part Number (Details)

**IC51 - 008 2 - 1024 - MF**

Series No.

No. of Contact Pins

No. of Sides with Contacts

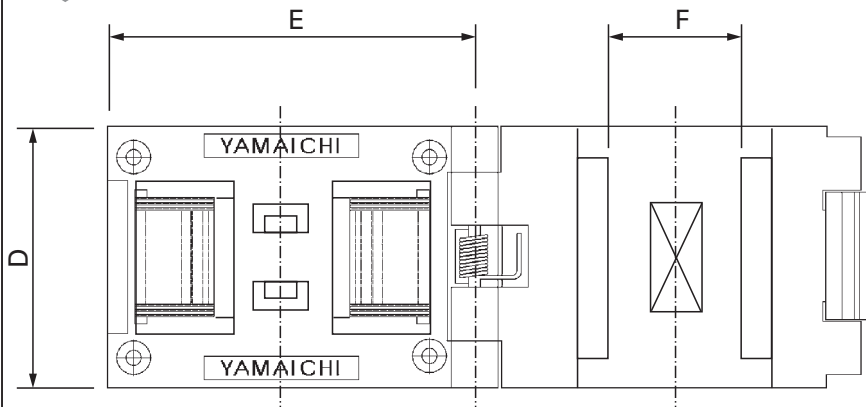
Design Number

MF= Flanged

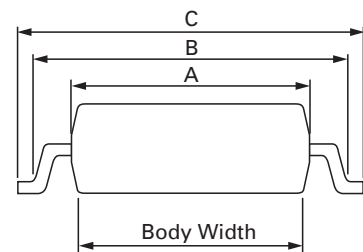
Unmarked = Not Flanged

## Applicable Dimensions (Reference Only)

### Example of a SOP Socket



### Outline IC Dimensions



A = Body width (max.)

B = Also the lid size for IC

C = Tip-to-Tip

F = Lid size from Socket

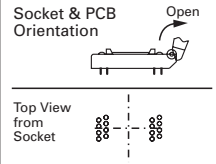
## SOP Clamshell

Part Number	Pin Count	Pitch (mm)	Matching IC Dim.				Note	Socket Dimensions		
			Body Width	A(max)	B(max)	C(nom.)		D	E	F
IC51-0082-1024	8	1.27	5.2	5.25	7.2	7.9	FB	18.5	32.5	7.2
IC51-1035.KS-10460	8	1.27	4.0	4.0	5.4	6.0	S	22.0	27.2	5.4
IC51-0122-1836	12	0.80	4.4	4.4	5.9	6.4	S	14.0	32.4	5.9
IC51-0142-951	14	1.25	4.4	4.5	5.2	5.9	S	24.0	27.5	5.2
IC51-0142-084	14	1.27	4.4	4.5	5.7	6.5	S	22.0	25.0	5.7
IC51-0142-1013	14	1.27	5.2	5.25	7.2	7.9	FB	18.5	32.5	7.2
IC51-1035.KS-15187	14	1.27	4.0	4.0	5.4	6.0	S	22.0	27.2	5.4
IC51-0162-1035	16	1.27	4.0	4.0	5.4	6.0	S	22.0	27.2	5.4
IC51-0162-1042	16	1.27	4.0	4.2	5.4	6.2	S	22.0	27.2	5.4
IC51-0162-658	16	1.27	4.4	4.5	6.2	7.0	S	26.0	31.5	5.7
IC51-0162-271-3	16	1.27	4.4	5.0	5.2	6.0	S	13.0	26.5	5.22
IC51-0162-271-2	16	1.27	5.0	5.0	5.2	6.0	S	13.0	26.5	5.22
IC51-0162-271-1	16	1.27	5.5	5.0	5.2	6.0	S	13.0	26.5	5.22
IC51-0162-272-1	16	1.27	5.5	5.5	5.7	6.5	S	13.0	26.5	5.72
IC51-0162-273-1	16	1.27	5.5	5.5	6.22	7.0	S	13.0	26.5	6.22
IC51-0162-1025	16	1.27	5.2	5.25	7.2	7.9	FB	18.5	32.5	7.2
IC51-0162-902-2	16	1.27	5.3	5.35	7.2	8.2	S	12.0	28.5	7.2
IC51-347.KS-7704	16	1.27	7.7	7.7	9.5	10.3	S	16.0	31.5	9.53
IC51-347.KS-6768	18	1.27	7.7	7.7	9.5	10.3	S	16.0	31.5	9.53
IC51--334.KS-13574	20	1.27	7.5	7.6	9.4	10.3	S	18.0	32.0	9.3

**Note:** Sockets with ( S ) "Separator" can accept and properly align lower pin count devices.  
 Sockets with ( FB ) "Floating Base" will only accept devices with the same pin count as the socket.

# IC51 - Clamshell

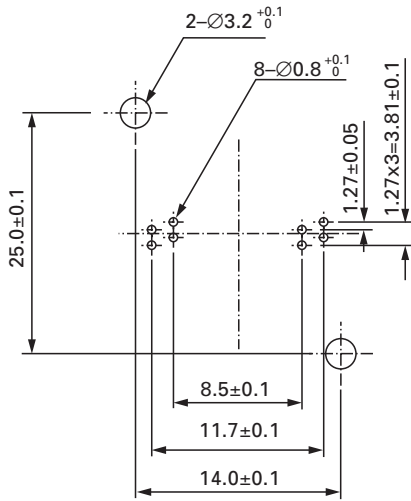
# Small Outline Package (SOP)



## Recommended PCB Layouts (8 - 14 pins)

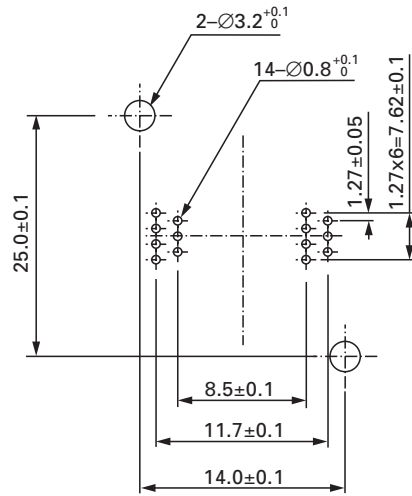
8 pins (SOP)

IC51-0082-1024



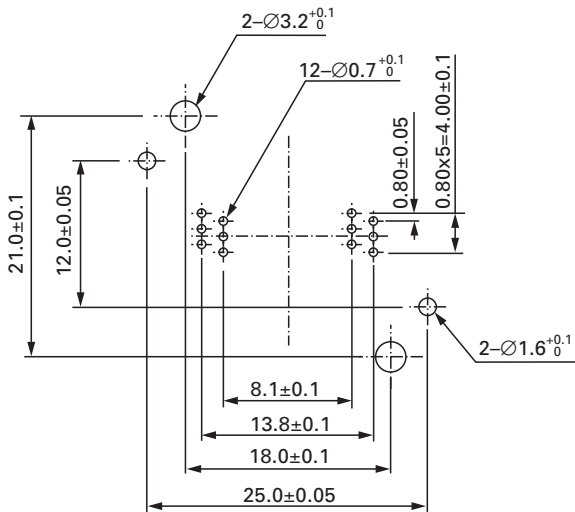
14 pins (SOP)

IC51-0142-1013



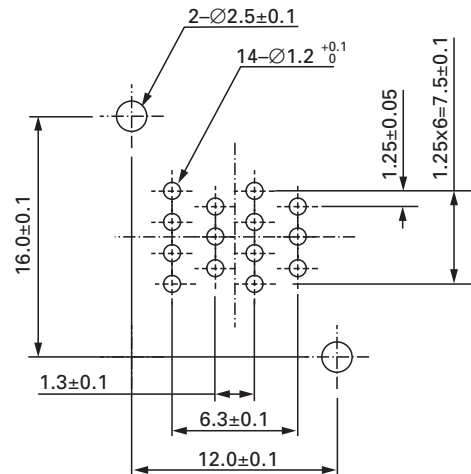
12 pins (SOP)

IC51-0122-1836



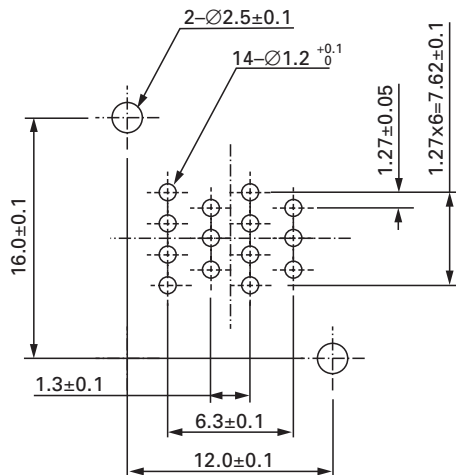
14 pins (SOP)

IC51-0142-951



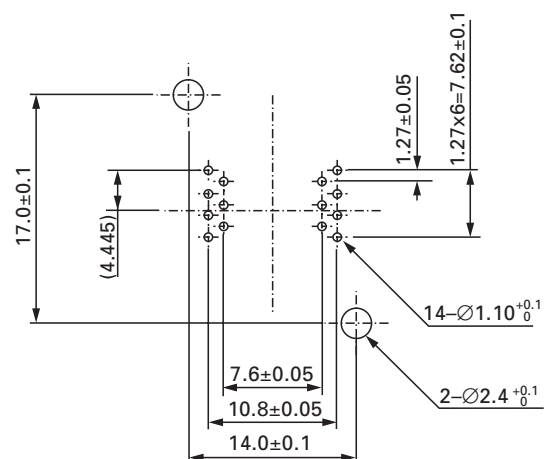
14 pins (SOP)

IC51-0142-084



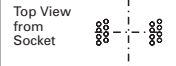
14 pins (SOP)

IC51-1035.KS-15187



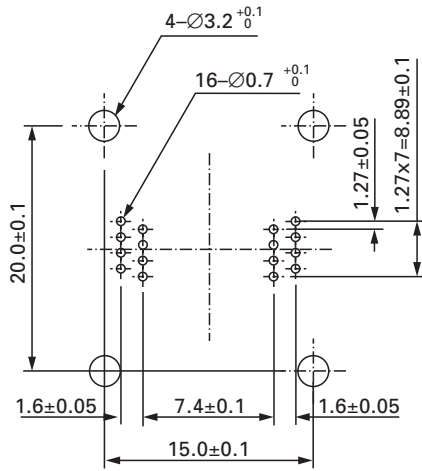
# IC51 - Clamshell

# Small Outline Package (SOP)

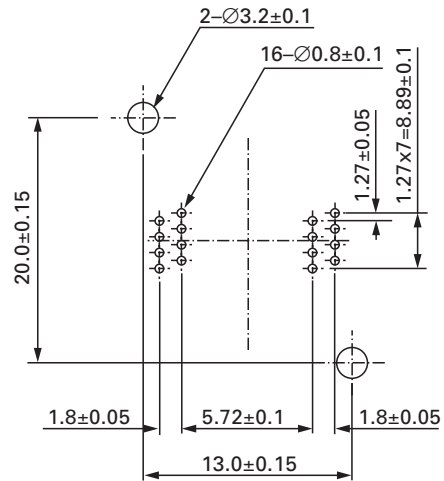


## Recommended PCB Layouts (8-16 pins)

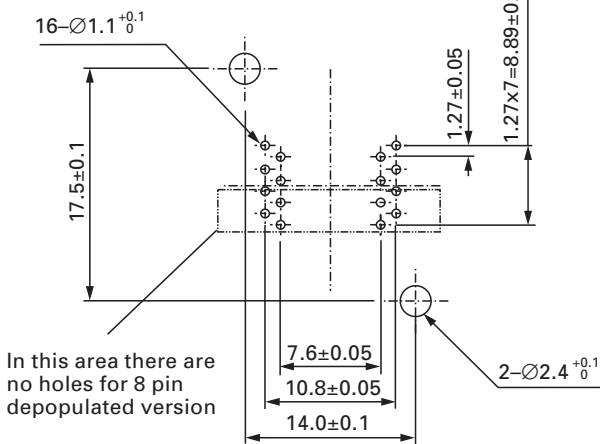
### 16 pins (SOP) IC51-0162-658



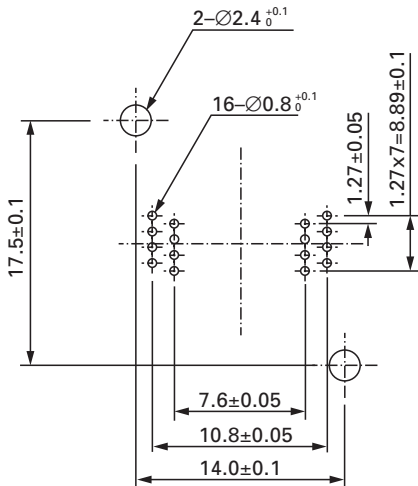
### 16 pins (SOP) IC51-0162-271-1 IC51-0162-271-2 IC51-0162-271-3



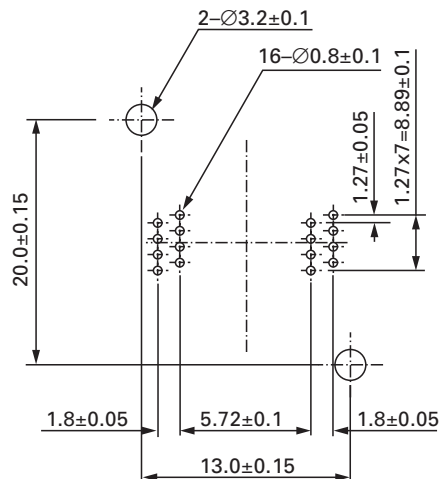
### 16 pins (SOP) IC51-0162-1035 8 pins (SOP) IC51-1035.KS-10460



### 16 pins (SOP) IC51-0162-1042



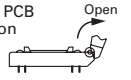
### 16 pins (SOP) IC51-0162-272-1



# IC51 - Clamshell

# Small Outline Package (SOP)

Socket & PCB Orientation

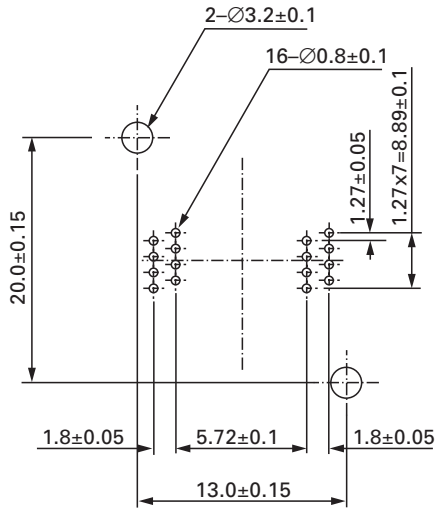


Top View from Socket

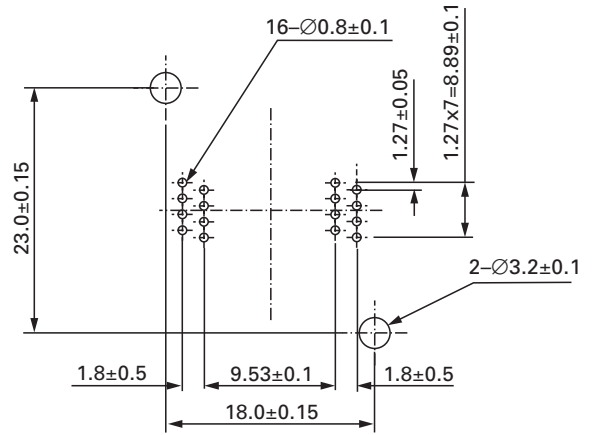


## Recommended PCB Layouts (16-20 pins)

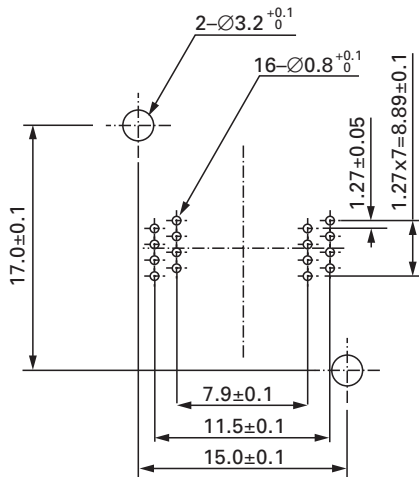
### 16 pins (SOP) IC51-0162-273-1



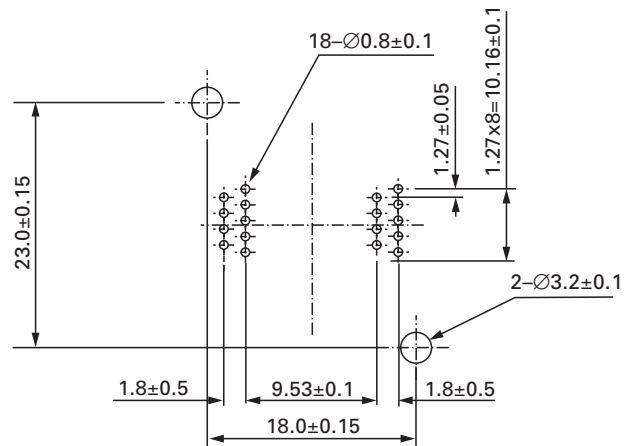
### 16 pins (SOP) IC51-347.KS-7704



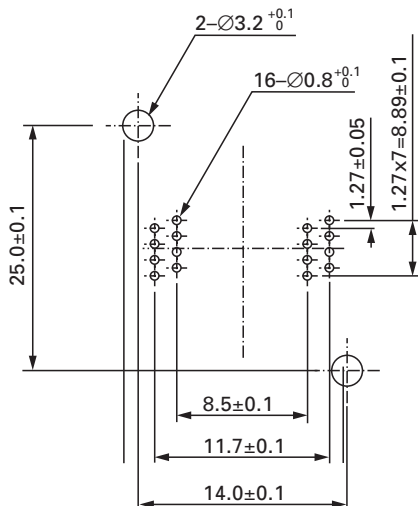
### 16 pins (SOP) IC51-0162-902-2



### 18 pins (SOP) IC51-0347.KS-6768



### 16 pins (SOP) IC51-0162-1025



### 20 pins (SOP) IC51-334.KS-13574

