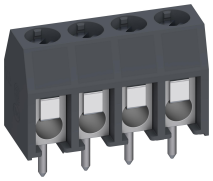


# 970(-DS)

PCB connector  
Screw connection



## GENERAL INFORMATION

Pitch	5 mm
No. of poles	2 - 32

## TECHNICAL DATA

Clamping Range	<i>solid / stranded / AWG</i>		
<i>without wire protector</i>	1 - 6 mm <sup>2</sup> / 1 - 2,5 mm <sup>2</sup> / 16 - 12 AWG		
<i>with wire protector</i>	0,75 - 4 mm <sup>2</sup> / 0,75 - 2,5 mm <sup>2</sup> / 18 - 12 AWG		
Rated Cross Section	2,5 mm <sup>2</sup>		
Wire Stripping Length	6,5 mm ± 0,5 mm		
Overvoltage Category	III	III	II
Pollution Severity Level	3	2	2
Rated Voltage	250 V (200 V)	320 V	630 V (400 V)
Rated Impulse Voltage	4 kV	4 kV	4 kV
Rated Current	24 A		
Hole in PCB	ø 1,3 mm		
Torque	0,5 Nm		
Other specifications	Voltage data in brackets are valid for 9-32 poles types. 2-8 poles types are "no-flame" acc. to glow-wire test.		

## APPROVALS

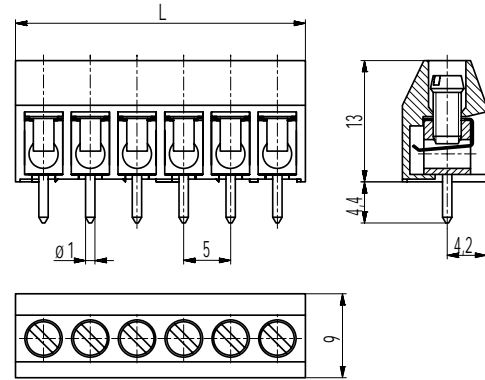
	Current [A]	Voltage [V]	Group	AWG	[Nm]
	20	300	B	22-12 [1]	0,51
	10	300	D	22-12 [1]	0,51
	20	300	B	26 - 12	0,51
	10	300	D, E	26 - 12	0,51
	Current [A]	Voltage [V]	mm <sup>2</sup>		
	24	250	2,5 [2]		

[1] Min No. 26 AWG for factory-wiring only  
[2] Acc. to IEC 60947-7-4 und IEC 60947-1

## CONFIGURATIONS

Poles	Item	Article number	Item	Article number	Length (L)	Packaging	PU
2	970/02	10.872.002	970-DS/02	20.872.002	11,00 mm	Box	250
3	970/03	10.872.003	970-DS/03	20.872.003	16,00 mm	Box	250
4	970/04	10.872.004	970-DS/04	20.872.004	21,00 mm	Box	200
5	970/05	10.872.005	970-DS/05	20.872.005	26,00 mm	Box	100
6	970/06	10.872.006	970-DS/06	20.872.006	31,00 mm	Box	100
7	970/07	10.872.007	970-DS/07	20.872.007	36,00 mm	Box	100
8	970/08	10.872.008	970-DS/08	20.872.008	41,00 mm	Box	100
9	970/09	10.872.009	970-DS/09	20.872.009	46,00 mm	Box	100
10	970/10	10.872.010	970-DS/10	20.872.010	51,00 mm	Box	100
11	970/11	10.872.011	970-DS/11	20.872.011	56,00 mm	Box	100
12	970/12	10.872.012	970-DS/12	20.872.012	61,00 mm	Box	100

further number of poles on request



## MATERIAL

Moulding	PA, grey, V-0
Comparative Tracking Index	2-8 poles: CTI ≥ 600; 9-32 poles: CTI 400
Insulating Group	2-8 poles: I; 9-32 poles: II
Temperature Range	-40°C up to 100°C
Terminal body	Tin plated brass
Screw	M3; zinc plated steel, blue passivated
Solder pin	ø 1 mm; tin plated copper alloy
Wire protector	Tin plated tin bronze

## OPTIONS / ACCESSORIES

- Consecutive numbering
- Special marking according to drawing
- Self-adhesive marking strip BST-5,00
- Longer solder pins up to 95 mm
- With test holes, see 970-MP
- Version with extended wire entrance
- Double wire protector as bridge

