

130-K

Tab connector



GENERAL INFORMATION

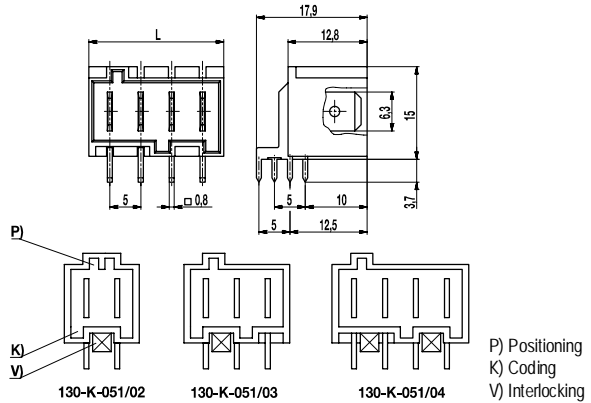
Pitch	5 mm
No. of poles	2 - 12
Usable with	Plug connectors 130-A, 130-P

TECHNICAL DATA

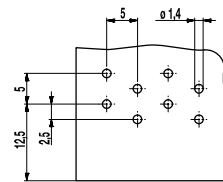
Overvoltage Category	III	III	II
Pollution Severity Level	3	2	2
Rated Voltage	250 V	320 V	400 V
Rated Impulse Voltage	4 kV	4 kV	4 kV
Rated Insulation Voltage	250 V acc. to EN 60998-1		
Rated Current	12 A		
Hole in PCB	ø 1,4 mm		

APPROVALS

	Current [A]	Voltage [V]	Group	AWG	[Nm]
	22	300	B		
	10	300	D		
	22	300	B		
	10	300	D, E		



PCB LAYOUT



MATERIAL

Moulding	PBT, natural, V-0
Comparative Tracking Index	CTI ≥ 275
Insulating Group	IIIa
Temperature Range	-40°C up to 130°C
Solder pin	0,8 x 0,8 mm, Tin plated brass
Tab	6,3 x 0,8 mm, Tin plated brass

OPTIONS / ACCESSORIES

- Pitch of 10 mm for larger clearance and creepage distances
- Tab for solder brige

CONFIGURATIONS

Poles	Part number	Article number	Length (L)	Packaging	PU
2	130-K/02	51.803.320	12,00 mm	Box	100
3	130-K/03	51.803.330	17,00 mm	Box	100
4	130-K/04	51.803.340	22,00 mm	Box	100

further number of poles on request

