

411-B

Plug receptacle
for tabs 6,3 mm

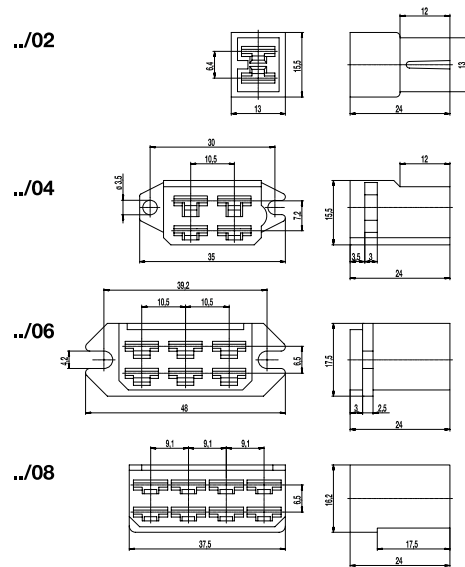


GENERAL INFORMATION

No. of poles	2, 4, 6, 8
Usable with	Flat plug housing 411-S
Areas of application	for electrical machines, vehicles, appliances and switch gear systems

TECHNICAL DATA

Rated Cross Section	6,0 mm ² / 10 AWG
Overvoltage Category	II
Pollution Severity Level	2
Rated Voltage	400 V
Rated Impulse Voltage	4 kV
Rated Current	20 A: with receptacle 6,3; wire 6,0 mm ² (10 AWG)



MATERIAL

Moulding	PA, natural, V-2 (PA, white, V-0) Details in round brackets apply for "no flame" products
Comparative Tracking Index	CTI ≥ 600
Insulating Group	I
Temperature Range	-40°C up to 100°C

CONFIGURATIONS

Poles	Item	Article number	Length (L)	PU
2	411-B/02	10.837.004	13 mm	1000
4	411-B/04	10.837.006	35 mm	1000
6	411-B/06	10.837.002	48 mm	500
8	411-B/08	10.837.008	37,5 mm	500

further number of poles on request

