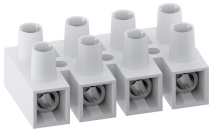


326(-HDS)

Socket terminal strip
Screw connection



GENERAL INFORMATION

Pitch	14,5 mm
No. of poles	1 - 12
Areas of application	For lighting applications and similar electrical equipment.

TECHNICAL DATA

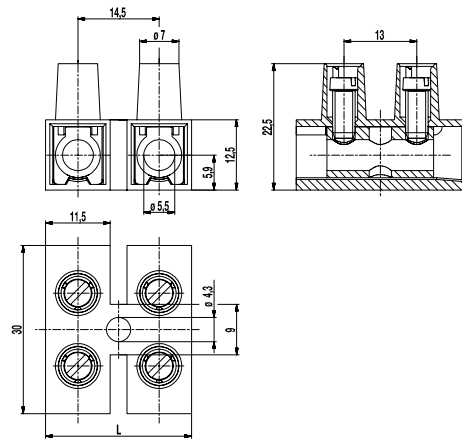
Clamping Range	<i>solid / stranded / AWG</i>		
without wire protector	2,5 - 16 mm ² / 2,5 - 10 mm ² / 14 - 8 AWG		
with wire protector	1,5 - 10 mm ² / 1,5 - 6 mm ² / 16 - 8 AWG		
Rated Cross Section	10 mm ²		
Wire Stripping Length	9 mm ± 1 mm		
Overvoltage Category	III	III	II
Pollution Severity Level	3	2	2
Rated Voltage	500 V	630 V	1000 V
Rated Impulse Voltage	6 kV	6 kV	6 kV
Rated Insulation Voltage	750 V acc. to EN 60998-1		
Rated Current	57 A		
Torque	1,2 Nm		

APPROVALS

	Current [A]	Voltage [V]	Group	AWG	[Nm]
	50	300	B	14 - 8	1,13
	50	150	C	14 - 8	1,13
	10	300	D	14 - 8	1,13
	55	300	B	14 - 8	1,2
	55	150	C	14 - 8	1,2
	10	300	D,E	14 - 8	1,2
	Current [A]	Voltage [V]	mm ²		
	57	750	10		

CONFIGURATIONS

Version	Poles	Item	Article number	Item	Article number	Length (L)	PU
Standard	1	326/01	11.824.006.EN6	326-HDS/01	31.824.006.EN6	14,50 mm	1000
Standard	2	326/02	12.824.006.EN6	326-HDS/02	32.824.006.EN6	29,00 mm	500
Standard	3	326/03	13.824.006.EN6	326-HDS/03	33.824.006.EN6	43,50 mm	400
Standard	4	326/04	14.824.006.EN6	326-HDS/04	34.824.006.EN6	58,00 mm	250
Standard	5	326/05	15.824.006.EN6	326-HDS/05	35.824.006.EN6	72,50 mm	200
Standard	6	326/06	16.824.006.EN6	326-HDS/06	36.824.006.EN6	87,00 mm	200
Standard	7	326/07	17.824.006.EN6	326-HDS/07	37.824.006.EN6	101,50 mm	160
Standard	8	326/08	18.824.006.EN6	326-HDS/08	38.824.006.EN6	116,00 mm	160
Standard	9	326/09	19.824.006.EN6	326-HDS/09	39.824.006.EN6	130,50 mm	130
Standard	10	326/10	20.824.006.EN6	326-HDS/10	40.824.006.EN6	145,00 mm	100
Standard	11	326/11	21.824.006.EN6	326-HDS/11	41.824.006.EN6	159,50 mm	100
Standard	12	326/12	22.824.006.EN6	326-HDS/12	42.824.006.EN6	171,00 mm	100



MATERIAL

Moulding	PA, white, V-0
Comparative Tracking Index	CTI ≥ 600
Insulating Group	I
Temperature Range	-40°C up to 100°C
Terminal body	Nickel plated brass
Screw	M4; zinc plated steel, blue passivated
Wire protector	Stainless steel strip

OPTIONS / ACCESSORIES

- Marking options on and between the screw guides
- Marking strips BST-326
- Jumper 327-J

