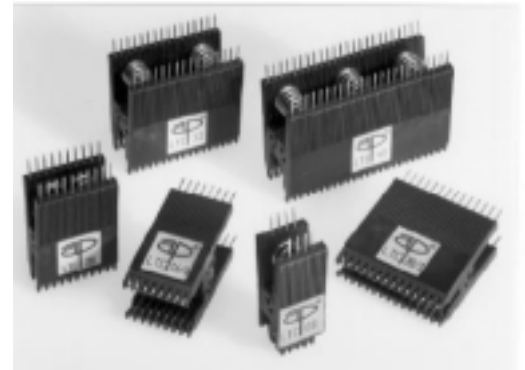


DIP TEST-CLIP

The IC Test-Clip for fast, safe access to DIP Leads

Invented in 1967 by A P Products, our Test-Clip has remained the industry standard for faster easier DIP IC Testing, quality control inspection, and field service. A P Test-Clips have become an indispensable tool to the electronic industry.

We're introducing today the industry largest selection of Test-Clips. With 144 models to fit every size DIP up to 64-pins and both nailed and connector-compatible "headless" leads available in every size, A P Products has just the right Test-Clip to meet your DIP testing requirements.



- **Easy attachment**

Narrow nose shape for working on high density PC-boards. Fits onto IC's with only 2,5 mm between leads and adjacent components.

- **Positive clamping**

The heavy duty industrial grade metal springs provide a firm positive grip to the DIP under test. The weight of the probes and test leads can't disturb connections, eliminating intermittents and false readings.

- **Save way to test**

The contact comb fits between DIP leads to eliminate any possibility of shorting out chips.

- **Reliable contacts**

Proven contact wiping action for optimum reliability. Flat "Duck-Bill" contacts won't roll off narrow DIP leads. "Knife-Edge" contacts are designed to cut through oxidation and dirt built up than can occur on older DIP IC leads.

- **Rugged construction**

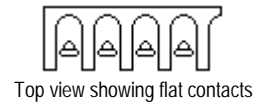
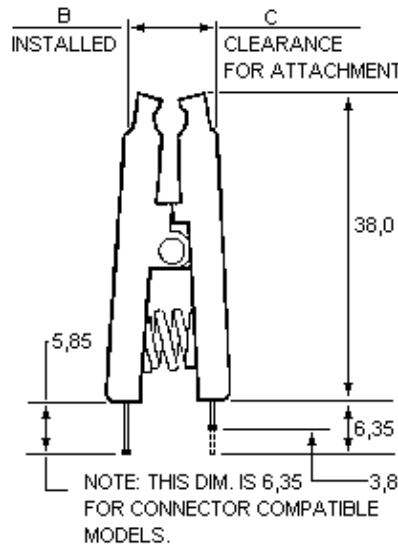
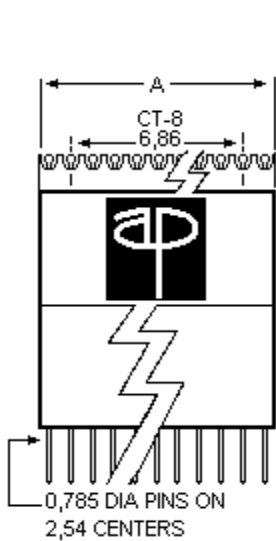
Body material is tough, engineering grade glassfilled PVC. The contacts are made from hardened Nickel Silver. Hinge design with steel pivot pin for smooth, long lasting use.

Specifications:

Plastic:	PVC, glassfilled (30%), acc to UL 94 V-0
Contacts:	CuNi18Zn20, no plating
Temp. Range:	-55 °C to +165 °C
Rel. Humidity:	<80%
Max. Current:	2 A
Max. Voltage:	250 V
Test Voltage:	Contact - Contact = 1000 V Contact - Ground = 1500 V



DIP TEST-CLIP



Number of pins	Dimensions row to row mm / inch	Dimensions (mm)			Part number		Part number	
		A	B	C	Nickel-Silver	Gold	Nickel-Silver	Gold
08	7,62 / 0,3	16,06	12,20	12,95	900695	900743-08	900690-08	900739-08
14	7,62 / 0,3	18,60	12,20	12,95	900698	900743-14	900690-14	900739-14
16	7,62 / 0,3	21,13	12,20	12,95	900700	900743-16	900690-16	900739-16
16	15,24 / 0,6	21,13	19,30	20,57	900702	900742-16	900689-16	900738-16
18	7,62 / 0,3	23,67	12,20	12,95	900703	900743-18	900690-18	900739-18
20	7,62 / 0,3	26,21	12,20	12,95	900704	900743-20	900690-20	900739-20
22	7,62 / 0,3	28,75	12,20	12,95	900706	900742-22	900689-22	900738-22
22	15,24 / 0,6	28,75	19,30	20,57	900705	900743-22	900690-22	900739-22
24	7,62 / 0,3	31,29	12,20	12,95	900715	900742-24	900689-24	900738-24
24	15,24 / 0,6	31,29	19,30	20,57	900714	900743-24	900690-24	900739-24
28	7,62 / 0,3	36,37	12,20	12,95	900717	900742-28	900689-28	900738-28
28	15,24 / 0,6	36,37	19,30	20,57	900718	900743-28	900690-28	900739-29
32	15,24 / 0,6	41,45	19,30	20,57	900719	900743-32	900690-32	900739-32
36	15,24 / 0,6	46,53	19,30	20,57	900720	900743-36	900690-36	900739-36
40	15,24 / 0,6	51,61	19,30	20,57	900722	900743-40	900690-40	900739-40
48	15,24 / 0,6	61,77	19,30	20,57	900724	900743-48	900690-48	900739-48
64	22,86 / 0,9	82,10	26,67	27,43	900726	900743-64	900690-64	900739-64

A P Products GmbH
 Bäumlesweg 21 – 23
 71093 Weil im Schönbuch
 Germany
 Tel: +49-7157-5348-0
 Fax: +49-7157-5348-39
 Web: www.ap-products.de
 E-mail: info@ap-products.de

A P Products Ltd.
 80 Cromwell Road
 Saffron Walden, CB11 4BE
 Great Britain
 Tel: +44-1799-526602
 Fax: +44-1799-521408
 Web: www.ap-products.co.uk
 E-mail: info@ap-products.co.uk

A P Products S.r.l.
 Viale Abruzzi, 87
 20131 Milano
 Italia
 Tel: +39-02-29404697
 Fax: +39-02-29523280
 Web: www.ap-products.it
 E-mail: info@ap-products.it