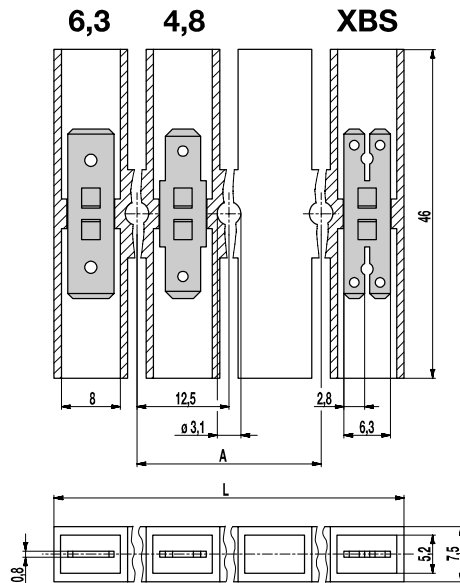
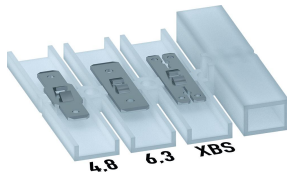


## 408-46-4,8/-6,3 /-XBS

Tab connector block  
Housing width 46 mm



Tab connector blocks 408-46 with double connectors on both sides are used mainly as connectors, lead distributors or as electrical interface in equipment and motor vehicles. Depending on the application, these connector blocks with a housing width of 46 mm are available for 4,8; 6,3 or XBS-tabs in 1- to 12-pole design.

These tab connectors are suitable for tab receptacles according to DIN 46247. The housing variant requires 2,8 tab receptacles for the insulation of crimp points.

### Part Numbers

No. of poles	408-46-4,8	408-46-6,3	408-46-XBS	Length	A *	PU
1	40.830.221	30.830.221	20.830.221	10,00		2000
2	40.830.222	30.830.222	20.830.222	22,50		1000
3	40.830.223	30.830.223	20.830.223	35,00	12,50	700
4	40.830.224	30.830.224	20.830.224	47,50	25,00	200
5	40.830.225	30.830.225	20.830.225	60,00	37,50	100
6	40.830.226	30.830.226	20.830.226	72,50	50,00	100
7	40.830.227	30.830.227	20.830.227	85,00	62,50	100
8	40.830.228	30.830.228	20.830.228	97,50	75,00	100
9	40.830.229	30.830.229	20.830.229	110,00	87,50	70
10	40.830.230	30.830.230	20.830.230	122,50	100,00	70
11	40.830.231	30.830.231	20.830.231	135,00	112,50	70
12	40.830.232	30.830.232	20.830.232	147,50	125,00	60

\* = Distance of the two outermost mounting holes

### General Information

Pitch	12,5 mm
No. of poles	1 - 12



### Technical Data

Overvoltage Category	III	III	II
Pollution Severity Level	3	2	2
Rated Voltage	320 V	320 V	630 V
Rated Impulse Voltage	4 kV	4 kV	4 kV
Rated Insulation Voltage	450 V acc. to EN 60998-1		
Rated Current	7,5 A: with receptacle 2,8; wire 1 mm <sup>2</sup> (16 AWG) 15 A: with receptacle 4,8; wire 2,5 mm <sup>2</sup> (14 AWG) 20 A: with receptacle 6,3; wire 6,0 mm <sup>2</sup> (10 AWG)		
Other specifications	Rated values apply to use without insulated underlay		

### Material

Moulding	PA, natural, V-2
Comparative Tracking Index	CTI ≥ 600
Insulating Group	I
Temperature Range	-40°C up to 100°C
Tab	Nickel plated brass

### Approvals

	Current [A]	Voltage [V]	Group	AWG	[Nm]
	25	600	B,C	max. 10	[1]
	15	600	B,C	max. 14	[2]
	6	600	B,C	max. 16	[3]
	25	600	B,C	max. 10	[1]

[1] only applicable when used with 6,3 tab receptacles

[2] only applicable when used with 4,8 tab receptacles

[3] only applicable when used with 2,8 tab receptacles

### Options / Accessories

- Consecutive numbering
- Special marking according to drawing