

## SUMMARY



*Image is for illustrative purpose only*

### # Wires

Low	10
High	0
Coax	0
Triax	0
Quad	0
Fiber	0
Fluidic	0

### Download

[Request a quote](#)

[Catalog](#)

Series	1P
Termination type	Female solder
IP rating	50
Cable Ø	0.00 - 0.00 mm
Status	active
Alternative part	
Matching parts	<a href="#">PAG.M1.0GL.AC39A</a>

## TECHNICAL DETAILS

### Mechanics

Shell Style/Model	PL*: Fixed receptacle, nut fixing
Keying	1 key (alpha=0; Plug: male contact; Receptacle: female contact)
Housing Material	PSU (Polysulfone), grey
Variant	A : Blue front nut
Weight	5.31 g

### Performance

Configuration	1P.M10 : 10 Low Voltage
Insulator	L: PEEK (UL 94 / V-0/3.2, depends on material thickness)
Rated Current	3 Amps

### Specifications

Contact Type:	Solder
Contact Dia.:	0.5 mm (0.0201in)
Bucket Dia.:	0.45 mm (0.018in)
Max. Solid Conductor:	0.09 mm <sup>2</sup> (AWG 28)

LEMO products and services are provided "as is". LEMO makes no warranties or representations with regard to LEMO product & services or use of them, express, implied or statutory, including for accuracy, completeness, or security. The user is fully responsible for his products and applications using LEMO components.

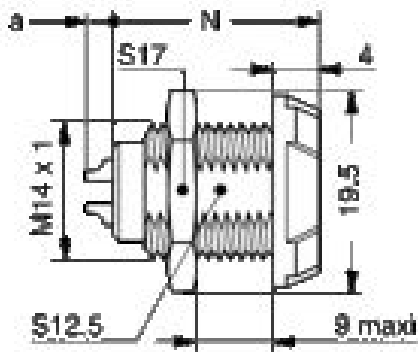
Max. Stranded Conductor: 0.09 mm<sup>2</sup> (AWG 28)  
 R (max): 8.5 mOhm  
 Test voltage (kV rms) Contact-contact: 0.85  
 Air clearance min. (mm) or Creepage distance min. (mm): 0.45

## Others

Endurance (Shell): >2000 mating cycles  
 F ret (min): 50 N  
 F ret (max): 150 N  
 Steam sterilization: > 100 times (with potting on rear connection)  
 IP Rating: 50

# DRAWINGS

## Draws



## Dimensions

	A	L	N
mm.	19.5	25	20.5
in.	0,77	0,98	0,81

# RECOMMENDED BY LEMO

## Tools

None

LEMO products and services are provided "as is". LEMO makes no warranties or representations with regard to LEMO product & services or use of them, express, implied or statutory, including for accuracy, completeness, or security. The user is fully responsible for his products and applications using LEMO components.

## Cables

CMN.10.T22.068QGC			
-------------------	--	--	--

*LEMO products and services are provided "as is". LEMO makes no warranties or representations with regard to LEMO product & services or use of them, express, implied or statutory, including for accuracy, completeness, or security. The user is fully responsible for his products and applications using LEMO components.*