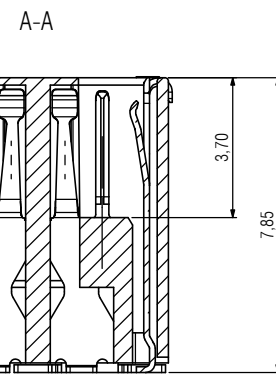
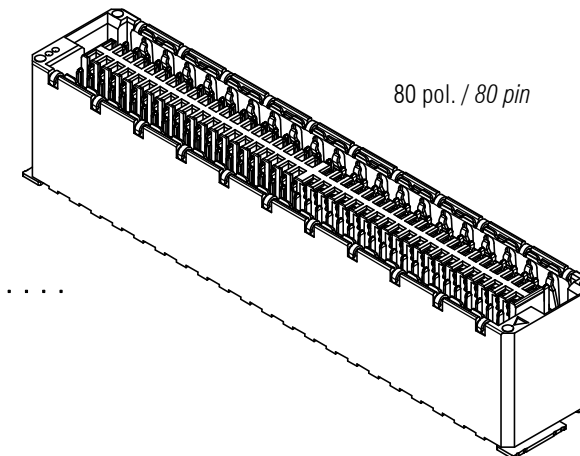


.....



Artikelnummer part number	Maß "G" dimension "G"	Maß "H" dimension "H"	Maß "J" dimension "J"	Maß "K" dimension "K"	Polzahl "P" pin number "P"	Maß "L" dimension "L"	Maß "M" dimension "M"
406-53112-51	4,00	8,90	9,88	3,20	12	6,90	1,60
406-53120-51	7,20	12,10	13,08	6,40	20	10,10	3,20
406-53132-51	12,00	16,90	17,88	11,20	32	14,90	5,60
406-53152-51	20,00	24,90	25,88	19,20	52	22,90	9,60
406-53180-51	31,20	36,10	37,08	30,40	80	34,10	15,20

Bemerkungen:

Werkstoffe
 Isolierkörper: LCP UL94 V-0
 Signalkontakt: Kupferlegierung
 Board-Lock: Kupferlegierung
Kontaktoberflächen
 Anforderungsstufe 1 (min. 500 Steckzyklen)

Notes:

Material
 Insulator: LCP UL94 V-0
 Signal-Contact: Copper Alloy
 Board-Lock: Copper Alloy
Contact Surface
 Performance Level 1 (min. 500 mating cycles)

Technische Änderungen vorbehalten / all data subject to amendment without notice

Werkstoff / Material:		Allgemeintoleranz / General tolerances		Maßstab / Scale: 10:1	
		Toleranzgrundriss / Fundamental tolerancing principle DIN ISO 8015		A2	
		Datum / Date		Name / Name	
		Erl./Drawn 31.10.2018		S. Scholl	
		Bsp./Exp.			
		Erl./Drawn 31.10.2018		S. Scholl	
		Bsp./Exp.			
00 first edition		31.10.2018		S. Scholl	
Version / Revision		Datum / Date		Name / Name	
		ept		ept GmbH www.ept.de	
		Zechennummer / Drawing number		406-531XX-5X	
		Anz. / Type		Blatt / Sheet	
		C		1/2	
		Status / Status			

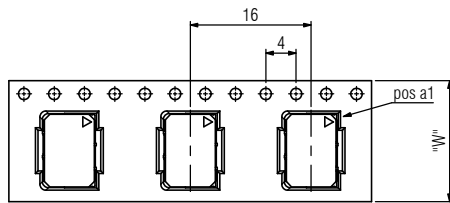
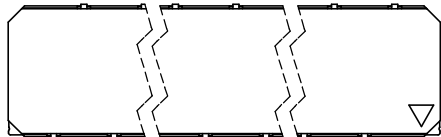
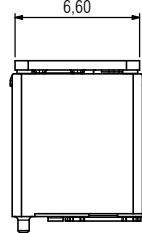
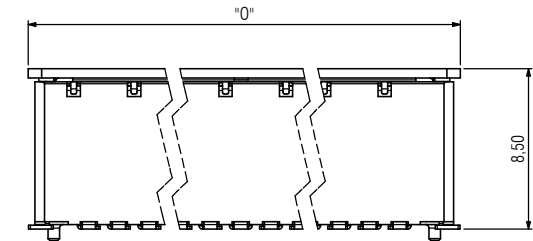
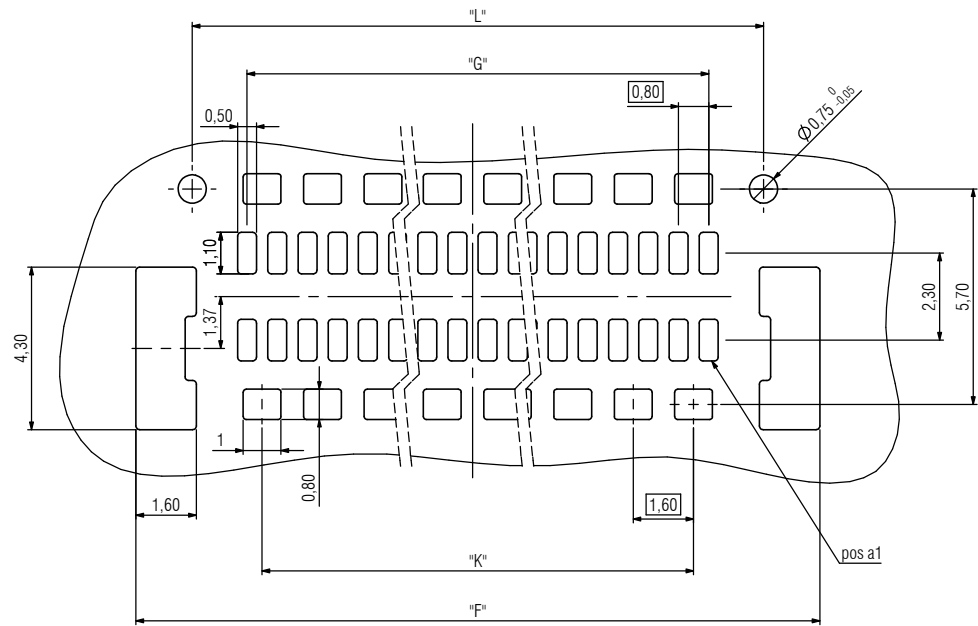
© The reproduction, distribution and utilization of this document, as well as the communication of its contents without express authorization is prohibited. Offenders will be held liable for the payment of damages. All rights reserved in the event of the grant of a patent, utility model or design.

© The rights and the reproduction of this document, as well as the communication of its contents without express authorization is prohibited. Offenders will be held liable for the payment of damages. All rights reserved in the event of the grant of a patent, utility model or design.

© The reproduction, distribution and utilization of this document, as well as the communication of its contents to others without express authorization is prohibited. Offenders will be held liable for the payment of damages. All rights reserved in the event of the grant of a patent, utility model or design.

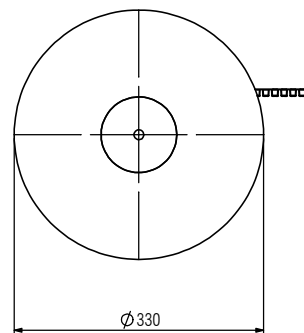
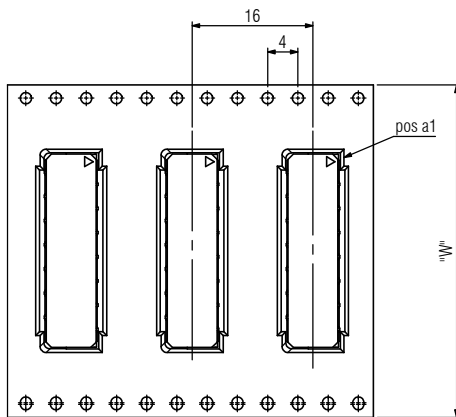
© Maßstab sowie Vergrößerung dieses Dokuments, Vervielfältigung und Mitteilung seines Inhalts sind verboten, soweit nicht ausdrücklich gestattet. Zuwiderhandlungen verpflichten zu Schadenersatz. Alle Rechte für den Fall der Patent-, Gebrauchsmuster- oder Geschmacksmustervereinbarung vorbehalten.

Empfehlung Leiterplatten-Layout / recommendation PCB-Layout



Abspulrichtung
Reel of direction

Gurtverpackung / Tape on Reel



Artikelnummer part number	Polzahl "P" pin number "P"	Maß "F" dimension "F"	Maß "G" dimension "G"	Maß "L" dimension "L"	Maß "K" dimension "K"	Maß "O" dimension "O"	Maß "W" dimension "W"
406-53112-51	12	9,88	4,00	6,90	3,20	9,60	16
406-53120-51	20	13,08	7,20	10,10	6,40	12,80	24
406-53132-51	32	17,88	12,00	14,90	11,20	17,60	32
406-53152-51	52	25,88	20,00	22,90	19,20	25,60	44
406-53180-51	80	37,08	31,20	34,10	30,40	36,80	56

Technische Änderungen vorbehalten / all data subject to amendment without notice

Bemerkungen:

Verpackung nach DIN EN 60286-3 und EIA-481
Stück je Rolle: 250

Notes:

Packaging is defined in DIN EN 60286-3 and EIA-481
Parts per reel: 250

Werkstoff / Material:		Allgemeintoleranz / General tolerances:		Maßstab / Scale: 10:1	
		Toleranzgrundsatz / Fundamental tolerancing principle: DIN ISO 8015		A2	
		Datum / Date:		Name / Name:	
		Ekt./Drawn:		S. Schöll	
		Bsp./Exp.:			
Version / Version:		Änderung / Revision:		Zeichnungsnummer / Drawing number:	
OD		next edition:		406-531XX-5X	
31.10.2018		S. Schöll		No. / Type:	
ept		ept GmbH		Blatt / Sheet:	
www.ept.de				2 / 2	
				Status / Status:	
				C	