

Series 1055

- Stable design
- Height-adjustable installation by using receptacle with press ring
- Contacting of assembled PCBs
- Universal applications

Mechanical Data

Center	4.50 mm/177 mil
Temperature Range	-30 °C - +120 °C
Full Travel	6.40 mm
Working Travel	5.10 mm
Pre-loaded Spring Force	0.60/ 1.00 N
Spring Force at Working Travel	2.25/ 4.75 N

Electrical Data

Max. Current Rating	8.0 A
Typical Continuity Resistance	<= 20 mOhm

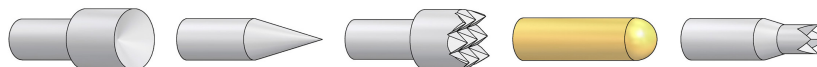
Materials

Barrel	Bronze, gold plated
Spring	Spring Steel, gold plated
Plunger	Steel, CuBe, gold plated oder rhodium plated
Receptacle	Bronze, gold plated

Recommended Diameter of Drill

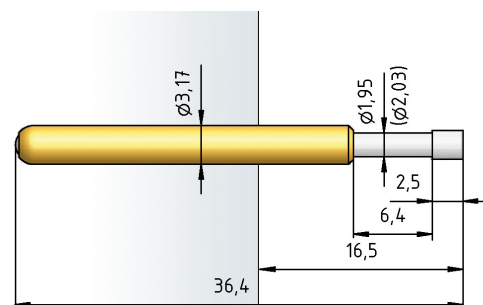
HP 2361.1 (Trolitax)	3.54 mm
HGW 2372	3.60 mm

Tip style - Diameter - Plating

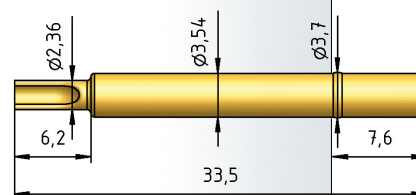


A	B	C	D2	G2
2.36 Rh	2.03 Rh	3.96 Rh	2.03C Au	1.30 Rh

1055



H 1055 L



How to Order

1055 - D2 - 2.25 N - Au - 2.03 C

1 2 3 4 5 6

1. Series
2. Tip Style
3. Spring Force
4. Tip Plating
5. Tip Diameter
6. Tip Material (only for CuBe)