

## Screw Connectors for Printed Circuit Boards

940 (-DS) | 5.08 mm (0.2 in) Spacing - 2-32 poles

## PICTURES



940-DS

## TECHNICAL INFORMATION

**Description**

Low profile

Wire entrance parallel to PC Board

Solid version



**Technical Data****Center to Center Spacing:** 5.080 mm (0.2 in)**Nominal Cross Section:** 1.5 mm<sup>2</sup> (2325 mils<sup>2</sup>)**Wire Stripping Length:** 6.000 mm (0.236 in)**Recommended Hole Diameter in PC Board:** 1.300 mm (0.051 in)**Bill of Materials****Pole Version :** 2-8**Molding :** Polyamide, Self extinguishing UL 94, V-0**Color :** Grey**Temperature limits :****Short Time :** 140°C (284°F)**Continuous :** 105°C (221°F)**Low Limit :** -40°C (-40°F)**Comparative Tracking Index :** CTI ? 600 V**Oxygen Index Rating :** 32 %**Pole Version :** 9-32**Molding :** Polyamide (glass fiber reinforced), Self extinguishing UL 94, V-0**Color :** Grey**Temperature limits :****Short Time :** 200°C (392°F)**Continuous :** 105°C (221°F)**Low Limit :** -40°C (-40°F)**Oxygen Index Rating :** 33 %**Terminal Body:** Tin plated copper alloy

: Tin plated copper alloy

**Screw:** Slotted head, zinc plated blue passivated, steel substrate M2.6**Solder Pin:** Tin plated copper alloy .0 mm (0.04 in.)

## APPROVAL INFORMATION

UL File No. E69841 | CSA File No. LR24322

Type	Current (A)	Voltage (V)	Application Group	AWG	Screw Tightening Torque
 940 (-DS) 5.08 mm	15	300	B	26-14	3.5 lbfin
 940 (-DS) 5.08 mm	15	300	B	26-14	0.4 lbfin

### Alternative Approval Information

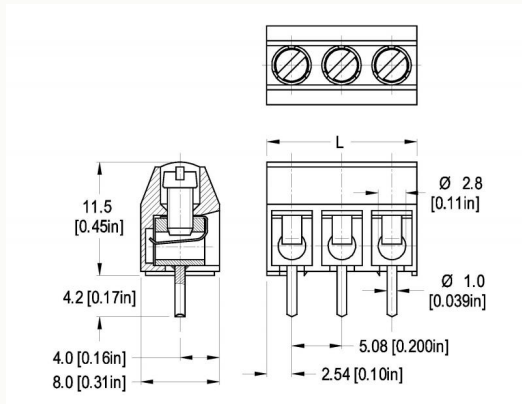
Type	Current (A)	Voltage (V)	Application Group	AWG	Screw Tightening Torque
940 (-DS) 10.16 mm	15 10	300 300	B D		
940 (-DS) 10.16 mm	15 10	300 300	B D, E	26-14 26-14	0.4 lbfin 0.4 lbfin

### International Approval Information



Rated Impulse Withstand Voltage : 2500 V

## TECHNICAL DRAWING



### Description :

Length of Connector (L)

$L = \text{No. of Poles} \times \text{Center to Center Spacing}$

## SECTION A - SERIES 94 AND SERIES 95



### Terminal Blocks for Printed Circuit Boards

Series 94 and 95 are among the smallest available connectors in the 5 mm (0.2 in.) spacing and are designed to save precious real estate on the printed circuit board. The Series 94 has 0.2 in. spacing and a rounded top the Series 95 has 5 mm metric spacing and has a slightly lower flat top design to provide visual and tactile differentiation between the two series and helps prevent inventory errors.

These blocks are available in solid 2-32 pole lengths as well as in the dovetail version (-T) with 2 and 3 poles per block which can be installed end-to-end to provide the needed number of poles while maintaining the center-to-center distance. The dovetail system allows them to be assembled together in the desired combination greatly reducing inventory and speeding up delivery.

The copper alloy tin-plated wire protector (-DS) option is recommended as it provides protection to stranded wires from the clamping screw. This series is end-to-end stackable while maintaining the needed spacing. Wire protectors are not required if solid wire is used this allows easier wire insertion.

For the 9 to 32 pole version, molding are fiberglass-filled polyamide to provide longitudinal rigidity while maintaining the UL 94 V-0 rating this also allows higher process temperature limits.

Terminal blocks with wire entry parallel to the circuit board have been designed with standoffs to allow flux and solvents to drain during flow soldering operations.

Each product has a "How To Order" area as well as a complete listing of UL and CSA approval specifications, available options and accessories.