

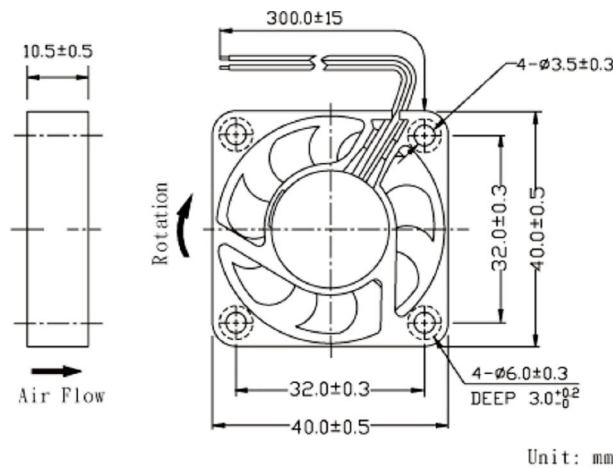
DC Fan Specification



D4010H12B/S

1. MODEL NUMBER	D4010H12B(X1)
2. CATEGORY	BRUSHLESS DC FAN
3. FRAME SIZE	40 x 40 x 10 mm (1.6 x 1.6 x 0.4 inch)
4. RATED VOLTAGE	12 VDC
5. OPERATING VOLTAGE RANGE	9 V ~ 15V
6. START-UP VOLTAGE	9 V / Min.
7. RATED MOTOR SPEED	7000 RPM ±10%
8. AIR FLOW	7.9 CFM (0.22 m ³ /Min.)
9. STATIC PRESSURE	3.77 mm/H ₂ O (0.15 inch/H ₂ O)
10. RATED CURRENT	0.07 Amp ±10%
11. RATED INPUT POWER	0.84 Watts ±10%
12. NOISE LEVEL	30.30 dB(A)
13. DIRECTION OF ROTATION	Clockwise viewed from front label
14. OPERATING TEMPERATURE	-10°C ~ + 70°C / 66% (RH)
15. STORAGE TEMPERATURE	-40°C ~ + 75°C / 66% (RH)
16. BEARING SYSTEM	BALL BEARING
17. LIFE EXPECTANCY	70,000 Hrs
18. SAFETY APPROVAL	UL, CUL, TUV, CE
19. WEIGHT	16 gm

D4010H12S(X1)
BRUSHLESS DC FAN
40 x 40 x 10 mm (1.6 x 1.6 x 0.4 inch)
12 VDC
9 V ~ 15V
9 V / Min.
7000 RPM ±10%
7.9 CFM (0.22 m ³ /Min.)
3.77 mm/H ₂ O (0.15 inch/H ₂ O)
0.07 Amp ±10%
0.84 Watts ±10%
30.30 dB(A)
Clockwise viewed from front label
-10°C ~ + 70°C / 66% (RH)
-40°C ~ + 75°C / 66% (RH)
SLEEVE BEARING
30,000 Hrs
UL, CUL, TUV, CE
16 gm



Unit: mm